

AFL-07A-CX2

7" Widescreen WVGA Touch Panel PC

VIA Eden™ 1GHz ULV Processor



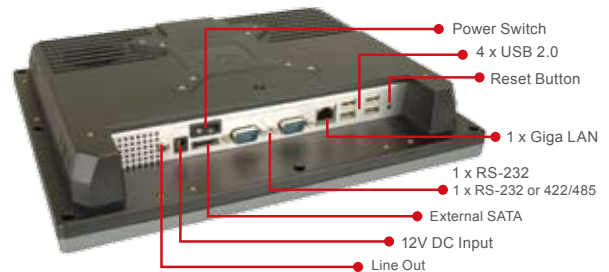
The compact fanless AFL-07A-CX2 model with widescreen high brightness panel is ideal for limited space and better image requirements such as car PCs.

► Features

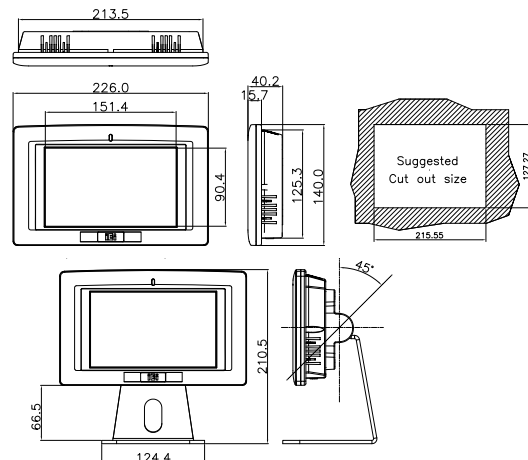
- 7" widescreen WVGA TFT LCD with resistive touch screen
- Compact design with plastic housing
- Fanless cooling system
- System memory up to 1 GB SDRAM
- Built-in 802.11b/g Wireless LAN
- Built-in Bluetooth module
- Built-in two 1.5 W speakers
- One compact flash slot
- IP 64 compliant front panel

► Fully Integrated I/O

AFL-07A-CX2



► Dimensions (Unit:mm)



► Specifications

Model	AFL-07A-CX2
LCD Size	7"
Max Resolution	800 * 480
Brightness (cd/m ²)	350
Contrast Ratio	400:1
LCD Color	262K
Pixel Pitch (mm)	0.1905(H) x 0.1905(V)
Viewing Angle (H-V)	140/110
Backlight MTBF	50000 hrs
SBC Model	AFLMB-CX2
CPU	VIA EDEN 1GHz ULV
Chipset	CX700M
RAM	Support one 200-pin 1GB (maximum) 400MHz or 533MHz DDR II SO-DIMM
I/O Ports and Switches	1 x RS232 COM Port 1 x RS232 or 422/485 COM Port 1 x RJ-45 for Giga LAN 4 x USB 2.0 1 x Power Switch 1 x Reset Button 1 x Power Jack 1 x Audio Port
SSD	CF Type II
Watchdog Timer	Software programmable supports 1~255 sec. System reset
Audio	AMP 1.5W + 1.5W
Expansion	1 x Mini PCI (Wireless LAN Module) 1 x Bluetooth Module (USB Interface, Bluetooth V2.0)

HDD Drive Bay	N/A
Optional HSDPA Module (support GSM 850,EGSM 900,DCS 1800 & PCS 1900)	N/A
Construction Material	ABS + PC Plastic front frame
LED Function	1 x Power ON/OFF LED on front panel
Mounting	Panel, Wall, Rack, Stand or Arm VESA 75mm x 75mm
Front Panel Color	Gray 7539U
Dimensions (WxHxD) (mm)	226 x 140 x 41
Operation Temperature (°C)	0~45°C
Storage Temperature (°C)	-20~60°C
Net Weight	0.6 kg
IP Level (front panel)	IP 64
EMC	CE, FCC, CCC
Safety	UL, CB
Touch Screen	Resistive Type 4-Wire (touch controller IC is on board)
Power Adapter	P/N:63000-FSP0361AD101C-RS Power: 36W Input: 90VAC~264VAC @ 50/60Hz Output: 12VDC
Power Requirement	12VDC
Power Consumption	28W

► Ordering Information

Part Number	Description
AFL-07A-CX2-E10G/WT-R/512MB	7" 350cd/m ² WVGA fanless panel PC with VIA Eden 1GHz ULV CPU, 512 MB DDR2 RAM, 802.11 b/g wireless module, touch screen, bluetooth, RoHS

► ISMM Support Functions

	Voltage	Fan	Smart Fan	Temperature	DIO	WDT	Beep	Cash Drawer
AFL-07A-CX2					V	V		

► Options

		AFL-07A-CX2
Panel Mounting Kit		AFLPK-08
Wall Mounting Kit		AFLWK-12
Rack Mounting Kit		AFLRK-07
ARM		ARM-11-RS/ARM-31-RS
STAND		STAND-A08 STAND-100-RS/STAND-150-RS
OS	Win CE 5.0	AFLCF-07-CX2-CE
	Win CE 6.0	AFLCF-07-CX2-CE060
	Win XPE	AFLCF-07-CX2-XPE
DC to DC converter module		IDD-930160-KIT
Hybrid Card Reader		AFLP-08AMSI-U
Magnetic Stripe Reader		AFLP-08AMSR-U
DC 12V Input UPS		AUPS-A10-R10
DV 9-36V Input UPS		AUPS-A20-R10

► Packing List

Item	P/N	Q'ty	Specifications
Screws	44013-030041-RS	4	M3;ø5mm
Power Adapter	63000-FSP0361AD101C-RS	1	90~264V;12V;36W
Power Cable	32000-000002-RS	1	1750MM,European Standard
User's Manual CD ROM	7B000-000087-RS	1	
Touch Pen	XTR104-0002-RS	1	

► Application

Small size industrial –grade LCDs are ideal for in-vehicle systems in trucks, public transport vehicles, and police cars. AFL in-vehicle LCDs used in car navigation systems and as monitors for rear-seat entertainment systems are able to withstand vibrations caused by the motion of the vehicle.

The diagram illustrates the connectivity of the AFL in-vehicle LCD. It shows the device connected to Bluetooth devices (headset, mobile phone), a GPS satellite, and a Bluetooth GPS Receiver. An optional DC/DC converter (IDD-930160-KIT) is also shown connected to the device. A photograph shows the device installed in a car's dashboard.

- Wide screen and 350 nits high brightness for better viewing
- Internal Speakers (1.5W/1.5W)
- one audio line-out extend voice functions (For AFL-07A-CX2)
- Bluetooth technology for peripherals extension

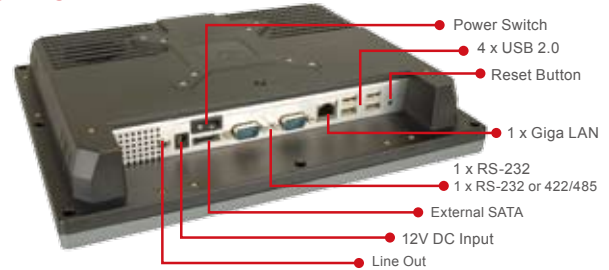
AFL-08AH-CX2

8.4" High Brightness Touch Panel PC VIA Eden™ 1GHz ULV Processor



Fully Integrated I/O

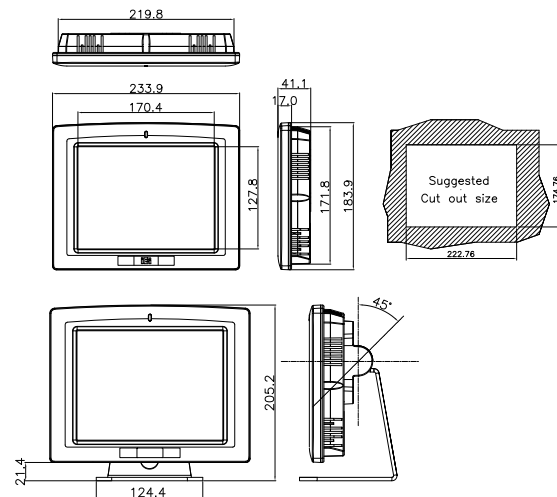
AFL-08AH-CX2



Features

- 8.4" TFT LCD with resistive touch screen
- Fanless cooling system
- System memory up to 1 GB SDRAM
- Built-in 802.11b/g Wireless LAN
- Built-in Bluetooth module
- Built-in two 1.5 W speakers
- One compact flash slot
- IP 64 compliant front panel

Dimensions (Unit:mm)



Specifications

Model	AFL-08AH-CX2
LCD Size	8.4"
Max Resolution	800 * 600
Brightness (cd/m ²)	450
Contrast Ratio	500:1
LCD Color	262K
Pixel Pitch (mm)	0.213(H) x 0.213(V)
Viewing Angle (H-V)	120/100
Backlight MTBF	50000 hrs
SBC Model	AFLMB-CX2
CPU	VIA EDEN 1GHz ULV
Chipset	CX700M
RAM	Support one 200-pin 1GB (maximum) 400MHz or 533MHz DDR II SO-DIMM
I/O Ports and Switches	1 x RS232 COM Port 1 x RS232 or 422/485 COM Port 1 x RJ-45 for Giga LAN 4 x USB 2.0 1 x Power Switch 1 x Reset Button 1 x Power Jack 1 x Audio Port
SSD	CF Type II
Watchdog Timer	Software programmable supports 1~255 sec. System reset
Audio	AMP 1.5W + 1.5W
Expansion	1 x Mini PCI (Wireless LAN Module) 1 x Bluetooth Module (USB Interface, Bluetooth V2.0)

HDD Drive Bay	N/A
Optional HSDPA Module (support GSM 850,EGSM 900,DCS 1800 & PCS 1900)	N/A
Construction Material	ABS + PC Plastic front frame
LED Function	1 x Power ON/OFF LED on front panel
Mounting	Panel, Wall, Rack, Stand or Arm VESA 75mm x 75mm
Front Panel Color	Gray 7539U
Dimensions (WxHxD) (mm)	234 x 184 x 42
Operation Temperature (°C)	0~45°C
Storage Temperature (°C)	-20~60°C
Net Weight	0.8 kg
IP Level (front panel)	IP 64
EMC	CE, FCC, CCC
Safety	UL, CB
Touch Screen	Resistive Type 4-Wire (touch controller IC is on board)
Power Adapter	P/N:63000-FSP0361AD101C-RS Power: 36W Input: 90VAC~264VAC @ 50/60Hz Output: 12VDC
Power Requirement	12VDC
Power Consumption	29W

► Ordering Information

Part Number	Description
AFL-08AH-CX2-E10G/WT-R/512MB	8.4" 450cd/m ² SVGA fanless panel PC with VIA Eden 1GHz ULV CPU, 512 MB DDR2 RAM, 802.11 b/g wireless module, touch screen, bluetooth, RoHS

► ISMM Support Functions

	Voltage	Fan	Smart Fan	Temperature	DIO	WDT	Beep	Cash Drawer
AFL-08AH-CX2					V	V		

► Options

		AFL-08AH-CX2
Panel Mounting Kit		AFLPK-08
Wall Mounting Kit		AFLWK-12
Rack Mounting Kit		AFLRK-08
ARM		ARM-11-RS / ARM-31-RS
STAND		STAND-A08 STAND-100-RS / STAND-150-RS
OS	Win CE 5.0	AFLCF-08-CX2-CE
	Win CE 6.0	AFLCF08-CX2-CE060
	Win XPE	AFLCF-08-CX2-XPE
DC to DC converter module		IDD-930160-KIT
Hybrid Card Reader		AFLP-08AMSI-U
Magnetic Stripe Reader		AFLP-08AMSR-U
DC 12V Input UPS		AUPS-A10-R10
DV 9-36V Input UPS		AUPS-A20-R10

► Packing List

Item	P/N	Q'ty	Specifications
Screws	44013-030041-RS	4	M3;ø5mm
Power Adapter	63000-FSP0361AD101C-RS	1	90~264V;12V;36W
Power Cable	32000-000002-RS	1	1750MM,European Standard
User's Manual CD ROM	7B000-000087-RS	1	
Touch Pen	XTR104-0002-RS	1	

► Application

8.4" Supermarket Use Advertising Player

Used as information machine or an advertisement display screen in supermarket, chain stores, drugstore, subway station, hotel, lift, boardroom, classroom and public areas or aboard various forms of transportation, like taxi, bus, train etc.



- 8 inch 450 nits high brightness TFT LCD screen for clear viewing
- Plastic cabinet streamline design, with build-in speaker and line-out (For AFL-08A-CX2) specifically design for public applications
- Support hardware MPEG-2/MPEG-4 hardware decode acceleration, enabling faster multimedia file transmission and better image quality while the CPU is in lessconsumption.
- Selectable AT/ATX power mode
 - Auto start when power on-AT mode
 - Remote management-ATX mode
- Real time news update by wireless or wired LAN

AFL-10A-CX2

AFL-10A-9103

10.4" SVGA Touch Panel PC

VIA Eden™ 1GHz ULV Processor

10.4" SVGA Touch Panel PC

Intel® Celeron® M 1GHz 512KB Processor



Fanless



► Features

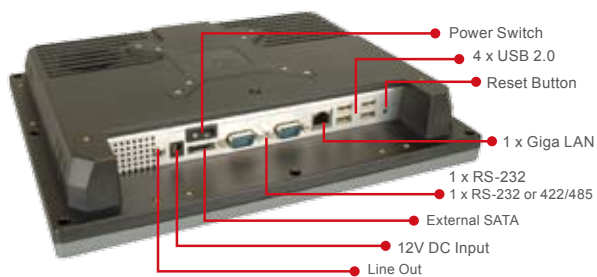
- 10.4" TFT LCD with resistive touch screen
- System memory up to 1 GB SDRAM
- Built-in 802.11b/g Wireless LAN
- Built-in Bluetooth module
- Built-in two 1.5 W speakers
- Built-in HSDPA module for mobile connection (Optional)
- One compact flash slot
- IP 64 compliant front panel

► Specifications

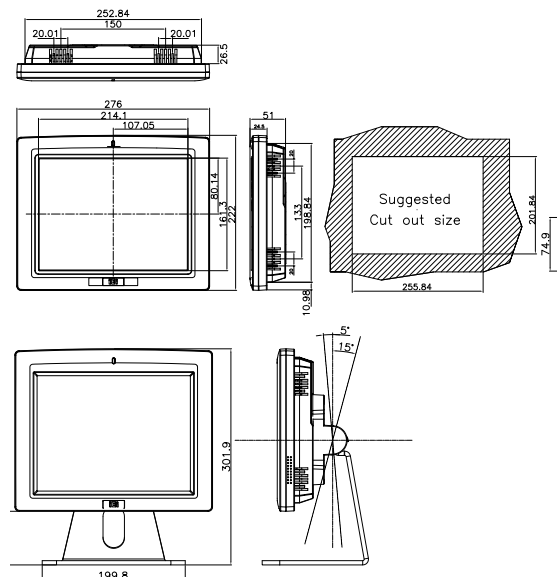
Model	AFL-10A-CX2	AFL-10A-9103
LCD Size	10.4"	10.4"
Max Resolution	800 * 600	800 x 600
Brightness (cd/m2)	400	400
Contrast Ratio	500:1	500:1
LCD Color	262K	262K
Pixel Pitch (mm)	211.2(H) x 158.4(V)	211.2(H) x 158.4(V)
Viewing Angle (H-V)	120/100	120/100
Backlight MTBF	50000 hrs	50000 hrs
SBC Model	AFLMB-CX2	AFLMB-9103
CPU	VIA Eden™ 1.0GHz ULV	Intel® Celeron® M processor 1GHz 512KB Cache
Chipset	CX700M	Intel® 910GMLE Chipset
RAM	Support one 200-pin 1GB (maximum) 400MHz or 533MHz DDR II SO-DIMM	Support one 200-pin 2GB (maximum) 400MHz DDR II SO-DIMM
I/O Ports and Switches	1 x RS232 COM Port 1 x RS232 or 422/485 COM Port 1 x Giga LAN 4 x USB 2.0 1 x Power Switch 1 x Reset Button 1 x Power Jack 1 x Audio Port	1 x RS232 COM Port 1 x RS232 or 422/485 COM Port 1 x Giga LAN 4 x USB 2.0 1 x Power Switch 1 x Reset Button 1 x Power Jack 1 x Audio Port
SSD	CF Type II	CF Type II
Watchdog Timer	Software programmable supports 1~255 sec. System reset	Software programmable supports 1~255 sec. System reset
Audio	AMP 1.5W + AMP 1.5W	AMP 1.5W + AMP 1.5W
Expansion	1 x Mini PCI (Wireless LAN Module) , 1 x Bluetooth Module (USB Interface, Bluetooth V2.0)	1 x PCIe mini card (Wireless LAN Module) , 1 x Bluetooth Module (USB Interface, Bluetooth V2.0)
HDD Drive Bay	N/A	N/A
Optional HSDPA Module	Yes	Yes
Construction Material	ABS + PC Plastic front frame	ABS + PC Plastic front frame
LED Function	1 x Power ON/OFF LED on front panel	1 x Power ON/OFF LED on front panel
Mounting	Panel, Wall, Rack, Stand or Arm VESA 75mm x 75mm / 100mm x 100mm	Panel, Wall, Rack, Stand or Arm VESA 75mm x 75mm / 100mm x 100mm
Front Panel Color	Gray 7539U	Gray 7539U
Dimensions (WxHxD) (mm)	276 x 227 x 50.7	276 x 226.9 x 50.7
Operation Temperature (°C)	0°C~45°C	0°C~45°C
Storage Temperature (°C)	-20°C~60°C	-20°C~60°C
Net Weight	1.4 kg	1.4 kg
IP Level (front panel)	IP 64	IP 64
EMC	CE, FCC, CCC	CE, FCC, CCC
Safety	UL, CB	UL, CB
Touch Screen	Resistive Type 5-Wire (touch controller IC is on board)	Resistive Type 5-Wire (touch controller IC is on board)
Power Adapter	P/N:63000-FSP0481AD101C-RS Power: 48W Input: 90VAC~264VAC @ 50/60Hz Output: 12VDC	P/N:63000-FSP0481AD101C-RS Power: 48W Input: 90VAC~264VAC @ 50/60Hz Output: 12VDC
Power Requirement	12VDC	12VDC
Power Consumption	34W	41W

► Fully Integrated I/O

AFL-10A-9103/CX2



► Dimensions (Unit:mm)



► Ordering Information

Part Number	Description
AFL-10A-CX2-E10G/WT-R/512MB/**(HSDPA01)	10.4" 400cd/m ² SVGA fanless panel PC with VIA Eden 1GHz ULV CPU, 512 MB DDR2 RAM, 802.11 b/g wireless module, touch screen, bluetooth, RoHS
AFL-10A-9103-10G/WT-R/1GB/**(HSDPA01)	10.4" 400cd/m ² SVGA fanless panel PC with Celeron® M 1.0GHz 512K cache CPU, 1GB DDR2 RAM, 802.11 b/g wireless module, touch screen, Bluetooth, RoHS

► ISMM Support Functions

	Voltage	Fan	Smart Fan	Temperature	DIO	WDT	Beep	Cash Drawer
AFL-10A-CX2					V	V		
AFL-10A-9103	V	V	V	V	V	V	V	

► Options

	AFL-10A-CX2	AFL-10A-9103
Panel Mounting Kit	AFLPK-12	AFLPK-12
Wall Mounting Kit	AFLWK-12	AFLWK-12
Rack Mounting Kit	AFLRK-10	AFLRK-10
ARM	ARM-11-RS / ARM-31-RS	ARM-11-RS / ARM-31-RS
STAND	STAND-A12 STAND-100-RS / STAND-150-RS	STAND-A12 STAND-100-RS / STAND-150-RS
OS	Win CE 5.0	AFLCF-10-CX2-CE
	Win CE 6.0	AFLCF10-CX2-CE060
	Win XPE	AFLCF-10-CX2-XPE
DC to DC converter module	IDD-930160-KIT	IDD-930160-KIT
Hybrid Card Reader	AFLP-10AMSI-U	AFLP-10AMSI-U
Magnetic Stripe Reader	AFLP-10AMSR-U	AFLP-10AMSR-U
DC 12V Input UPS	AUPS-A10-R10	AUPS-A10-R10
DV 9-36V Input UPS	AUPS-A20-R10	AUPS-A20-R10

► Packing List

Item	P/N	Q'ty	Specifications
Screws	44013-030041-RS	4	M3;ø5mm
Power Adapter	63000-FSP0361AD101C-RS 63000-FSP0481AD101C-RS	1	90~264V;12V;36W (for LX) 90~264V;12V;48W (for CX2/9103)
Power Cable	32000-000002-RS	1	1750MM, European Standard
User's Manual CD ROM	7B000-000087-RS	1	
Touch Pen	XTR104-0002-RS	1	

AFL-12B-CX2

AFL-12B-9103

12.1" XGA Touch Panel PC

VIA Eden™ 1GHz ULV Processor

12.1" XGA Touch Panel PC

Intel® Celeron® M 1GHz 512KB Processor



► Features

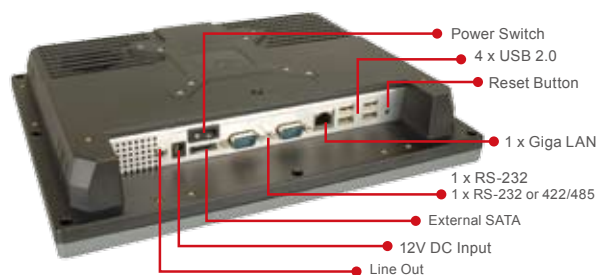
- 12.1" TFT LCD with resistive touch screen
- Built-in 802.11b/g Wireless LAN
- Built-in Bluetooth module
- Built-in two 1.5 W speakers
- Built-in HSDPA module for mobile connection (Optional)
- One compact flash slot
- IP 64 compliant front panel

► Specifications

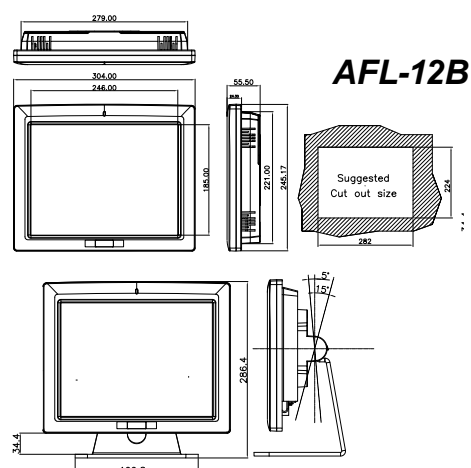
Model	AFL-12B-CX2	AFL-12B-9103
LCD Size	12.1"	12.1"
Max Resolution	1024 * 768	1024 * 768
Brightness (cd/m2)	400	400
Contrast Ratio	500:1	500:1
LCD Color	262K	262K
Pixel Pitch (mm)	0.240(H) x 0.240(V)	0.240(H) x 0.240(V)
Viewing Angle (H-V)	160/160	160/160
Backlight MTBF	50000 hrs	50000 hrs
SBC Model	AFLMB-CX2	AFLMB-9103
CPU	VIA EDEN 1GHz ULV	Intel® Celeron M 1.0GHz/512k Cache
Chipset	CX700M	Intel® 910GML Chipset
RAM	Support one 200-pin 1GB (maximum) 400MHz or 533MHz DDR II SO-DIMM	Support one 200-pin 2GB (maximum) 400MHz DDR II SO-DIMM
I/O Ports and Switches	1 x RS232 COM Port 1 x RS232 or 422/485 COM Port 1 x Giga LAN 4 x USB 2.0 1 x Power Switch 1 x Reset Button 1 x Power Jack 1 x Audio Port	1 x RS232 COM Port 1 x RS232 or 422/485 COM Port 1 x Giga LAN 4 x USB 2.0 1 x Power Switch 1 x Reset Button 1 x Power Jack 1 x Audio Port
SSD	CF Type II	CF Type II
Watchdog Timer	Software programmable supports 1~255 sec. System reset	Software programmable supports 1~255 sec. System reset
Audio	AMP 1.5W + AMP 1.5W	AMP 1.5W + AMP 1.5W
Expansion	1 x Mini PCI (Wireless LAN Module) 1 x Bluetooth Module (USB Interface, Bluetooth V2.0)	1 x PCIe mini card (Wireless LAN Module) 1 x Bluetooth Module (USB Interface, Bluetooth V2.0)
HDD Drive Bay	1 x 2.5" SATA HDD bay or Optional HSDPA Module	
Construction Material	ABS + PC Plastic front frame	ABS + PC Plastic front frame
LED Function	1 x Power ON/OFF LED on front panel	1 x Power ON/OFF LED on front panel
Mounting	Panel, Wall, Rack, Stand or Arm VESA 75mm x 75mm / 100 x 100mm	Panel, Wall, Rack, Stand or Arm VESA 75mm x 75mm / 100 x 100mm
Front Panel Color	Gray 7539U	Gray 7539U
Dimensions (WxHxD) (mm)	304 x 246 x 56	304 x 246 x 56
Operation Temperature (°C)	0~40°C with HDD 0~45°C with CF card or SATA interface 2.5" SSD HDD	0~40°C with HDD (smart fan control :fan mode) 0~45°C with CF card or SATA interface 2.5" SSD HDD (smart fan control:fanless mode)
Storage Temperature (°C)	-20°C~60°C	-20°C~60°C
Net Weight	1.8Kg	1.8Kg
IP Level (front panel)	IP 64	IP 64
EMC	CE, FCC, CCC	CE, FCC, CCC
Safety	UL, CB	UL, CB
Touch Screen	Resistive Type 5-Wire (touch controller IC is on board)	Resistive Type 5-Wire (touch controller IC is on board)
Power Adapter	P/N:63000-FSP0481AD101C-RS Power: 48W Input: 90VAC~264VAC @ 50/60Hz Output: 12VDC	Power: 60W Input: 90VAC~264VAC @ 50/60Hz Output: 12VDC
Power Requirement	12VDC	12VDC
Power Consumption	41W	46W

► Fully Integrated I/O

AFL-12B-9103 / CX2



► Dimensions (Unit:mm)



► Ordering Information

Part Number	Description
AFL-12B-CX2-E10G/WT-R/512MB/**(HSDPA01)	12.1" 450cd/m ² XGA fanless panel PC with VIA Eden 1GHz ULV CPU, 512 MB DDR2 RAM, 802.11 b/g wireless module, touch screen, bluetooth, RoHS
AFL-12B-9103-10G/WT-R/1GB/**(HSDPA01)	12.1" 450cd/m ² XGA fanless panel PC with Celeron® M 1.0GHz 512K cache CPU, 1GB DDR2 RAM, 802.11 b/g wireless module, touch screen, Bluetooth, RoHS

Note: If the HSDPA module is used, the HDD can't be implemented.

► ISMM Support Functions

	Voltage	Fan	Smart Fan	Temperature	DIO	WDT	Beep	Cash Drawer
AFL-12B-CX2					V	V		
AFL-12B-9103								

► Options

	AFL-12B-CX2	AFL-12B-9103
Panel Mounting Kit	AFLPK-12	
Wall Mounting Kit	AFLWK-12	
Rack Mounting Kit	AFLRK-12	
ARM	ARM-11-RS / ARM-31-RS	
STAND	STAND-A12 / STAND-POS12 / STAND-100-RS / STAND-150-RS	
OS	Win CE 5.0	AFLCF-12-CX2-CE
	Win CE 6.0	AFLCF12-CX2-CE060
	Win XPE	AFLCF-12-CX2-XPE
DC to DC converter module	IDD-930160-KIT	
Hybrid Card Reader	AFLP-12BMSI-U	
Magnetic Stripe Reader	AFLP-12BMSR-U	
DC 12V Input UPS	AUPS-A10-R10	
DV 9-36V Input UPS	AUPS-A20-R10	

► Packing List

Item	P/N	Q'ty	Specifications
Screws	44013-030041-RS	4	M3;ø5mm
Power Adapter	63000-FSP0361AD101C-RS 63000-FSP0481AD101C-RS 63000-FSP0601AD101C-RS	1	90~264V; 12V;36W (for LX) 90~264V; 12V;48W (for CX2/LXPOS) 90~264V; 12V;60W (for 9103)
Power Cable	32000-000002-RS	1	1750MM, European Standard
User's Manual CD ROM	7B000-000087-RS	1	
Touch Pen	XTR104-0002-RS	1	