



Enrich POS Series

All-in-One Touch POS

EP-162
(12.1" LCD)



EP-165
(15" LCD)



EP-162 & EP-165 Enrich POS



Introduction

The EP-162/165 POS system is a 12"/15" all-in-one touch POS system. With the fanless or external fan design, the EP series provides outstanding computing performance and low-power consumption for diverse POS applications.



EP-162 Series



EP-165 Series

- Second displays support including digital signage, monitor and VFD display.
- Full I/O interface for peripherals
- Smart mechanical design
- Dust-proof CPU Protection
- Heat-dissipated Aluminum Chassis
- IP-64 Compliant Front Panel
- Wireless Communication Enabled

EP Series Product Line

Fanless	CPU	Chipset Platform	LCD Size	Model
	Celeron® M	910GML	12"	EP-162-910
			15"	EP-165-910
	Celeron® M Core™ Duo (Pentium® M/ Core™ Duo/ Core™ 2 Duo Supported)	945GME	12"	EP-162-945
			15"	EP-165-945

Custom-made available with choices-

CPU Brand Name	Generation	CPU No.	Clock Speed (GHz)
Core™ 2 Duo	Merom (Napa Refresh)	T/L/U7xxx T/L/U5xxx	From 1.06 GHz to 2.33 GHz
Core™ Duo Core™ Solo	Yonah	T/L/U2xxx T/L/U1xxx	From 1.06 GHz to 2.33 GHz
Celeron® M	Merom (Napa Refresh)	5xx	From 1.06 GHz to 2.00 GHz
	Yonah	4xx	

Support Second Display



The EP series POS supports second independent display. The supported display devices include

- iSignager-LCD
- AFOLUX Monitors
- IEI's VFD solution
- Other displays compatible with VESA 100 mm mounting standard

(1) iSignager-LCD

The EP series POS supports 10" and 12" iSignager-LCD. IEI provides Windows API for users to integrate with their own POS program for updating the real-time POS information displayed on the iSignager-LCD. With this integration, the iSignager-LCD provides digital signage and VFD functions at the same time.



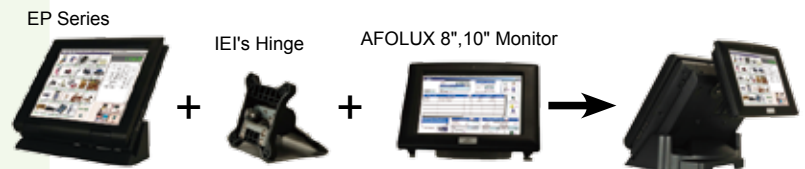
(2) VFD Display

IEI offers two types of VFD as following



(3) AFOLUX Monitor

IEI's AFOLUX series monitors supports 4-in-1 multiple video inputs including S-Video, composite video, component video and VGA.

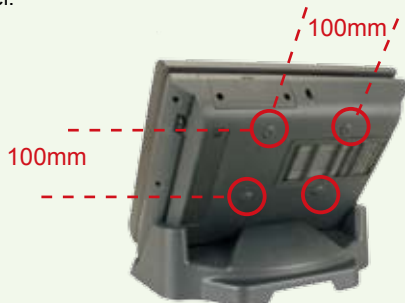


AFOLUX monitor supports 4 video inputs



(4) Other Displays

The EP series POS supports other displays compatible with VESA mounting standard (100mm x 100mm) on the rear panel.

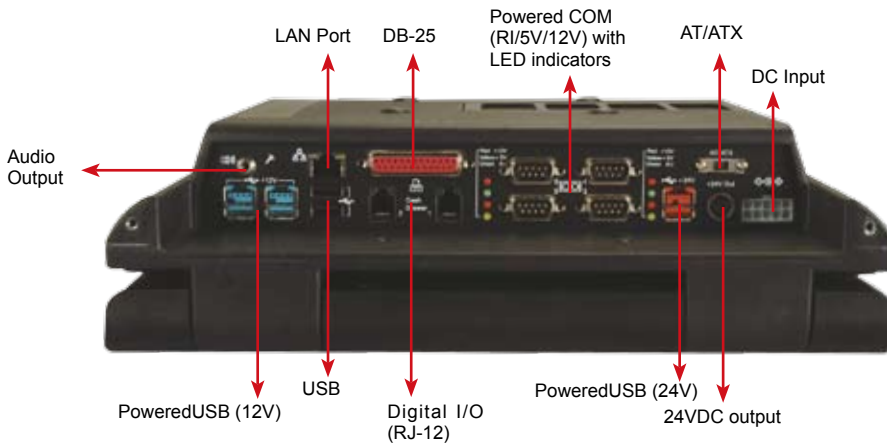




- P / S 2 connector ←
- Powered COM2 (5V/12V) ←
- 12VDC output ←
- USB ←
- VGA ←



Full I/O Interfaces for Peripherals



EP series POS is equipped with full I/O interfaces for easy connecting with different peripherals. The connections can be either via the rear panel or the bottom panel.

• Powered COM Port with LED Indicator

The voltage of the powered COM port is selectable by configuring the on-board jumper. Each powered COM port has a set of voltage LED indicators on the side to show the current output voltage setting and to prevent from plugging in unmatched device unconsciously.

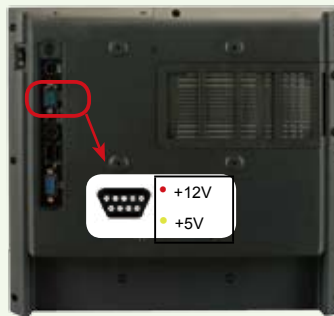
• Identify LED color:

12V	The voltage supplied from the port was set as 12V
5V	The voltage supplied from the port was set as 5V
RI	The voltage supplied from the port was set as RI (ring indicator)

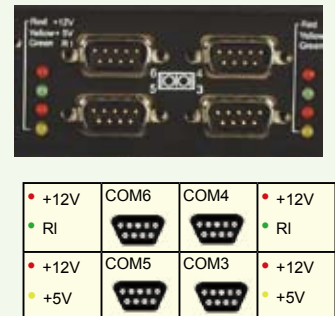


The output voltage of the powered COM is selectable respectively by opening and shorting the control pins onboard.

• On the rear panel

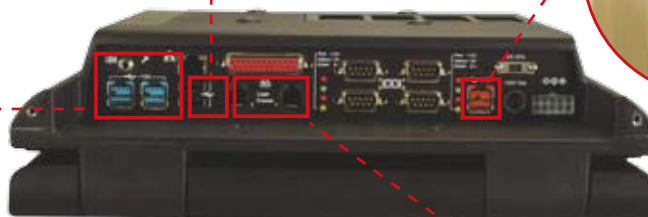


• On the bottom panel



• PoweredUSB with 5V/12V/ 24V supply

The EP-162/165 POS is equipped with the convenient PoweredUSB interface which is widely used in peripherals of POS system such as receipt printer, barcode scanner, pin pad, and payment terminal.



• Two Digital I/O with 12V/24V power supplies

EP-162/ 165 POS is furnished with two digital I/O RJ-12 with selectable 12V/ 24V power that provides expansion for cash drawers.

12V/24V Cash Drawer

• Extended power supply for 5V/ 12V/ 24V peripherals

Extra connectors with 5V/ 12V/ 24V power are available on both POS I/O interface panels and power adapter for peripheral devices.

• On the Rear Panel



• On the Bottom Panel

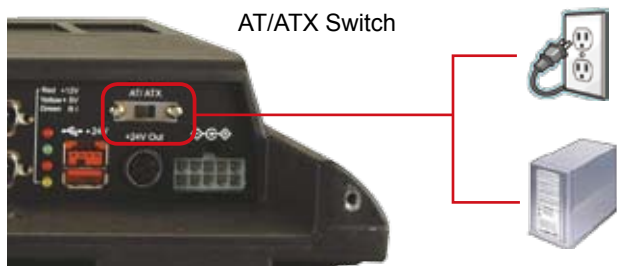


• ACE-D825A-H-RS



• AT/ ATX Power Mode Selection

The EP-162/165 POS provides AT and ATX power modes for users to choose the best solution for their applications by simply switching the button on the I/O.



AT Power Mode, system powered on/off by central plug, is suitable when the EP-162/ 165 is mounted on the wall.

ATX Power Mode allows the computer to be turned on/off via software or network. In ATX mode, the system goes into standby mode when not in use. It is ideal for power saving.

Wireless Communication Enabled

The EP series POS supports 802.11 a/b/g WiFi connections in business environment.



Windows® OS support

IEI offer the OS image for the EP Series POS including Windows XP Embedded, Windows Embedded CE and WEPOS.



System Health Supervision

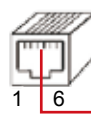


IEI ISMM is a system health supervision API which utilizes sensor chips on IEI motherboards to track the system data and feedback system health status.

- CPU temperatures monitoring
- Smart fan controlling
- Voltage alarm
- Watchdog timer testing
- User profile saving
- Cash drawer control



Cash Drawer PIN Setting

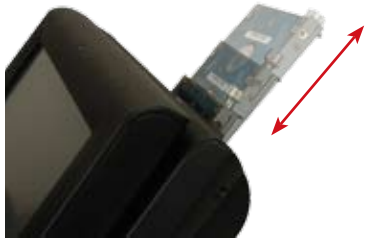


Pin	Assignment
1	Ground
2	Digital OUT (Programmable)
3	Digital IN
4	+12V / 24V
5	NC
6	Ground

Smart Mechanical Design

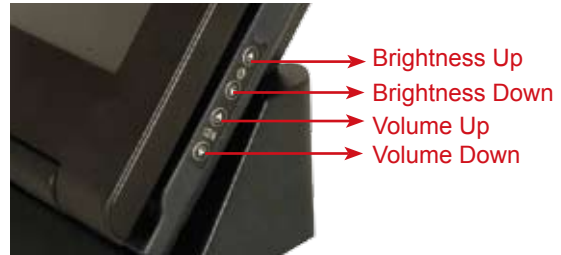
• Easy-to-Swap SATA Hard Disk Drive

The special designed HDD slot makes it easy to swap SATA HDD



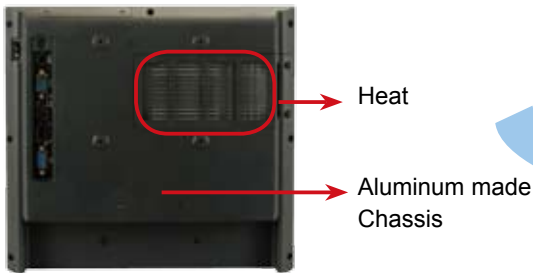
• Contrast and Volume Control Buttons

Contrast and Volume Control Buttons on the right side panel are easily reached and adjusted the brightness and volume.



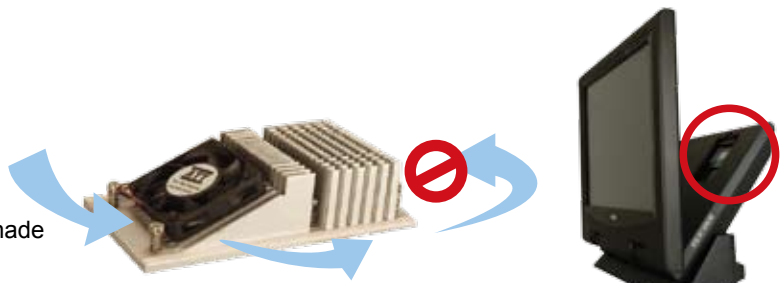
• Dust-proof CPU Protection

The EP series POS provides the dust-proof cover to protect the CPU and motherboard free from the dust. It dissipates only the heat but prevents the dirt into the POS system.



• Optional CF Card Storage

The EP Series POS supports CompactFlash Card storage.



• Adjustable Swivel Angle for the Best View

The viewing angle of the EP series monitor is adjustable. With this special hinge design, the monitor displays content clearly at anytime, even when it is wall mounted.



• Adjustable front panel over 120°

• Adjustable second display for 45°

• Built-in Speakers

The EP series POS pre-install with two 3 Watt speakers at the customer side.



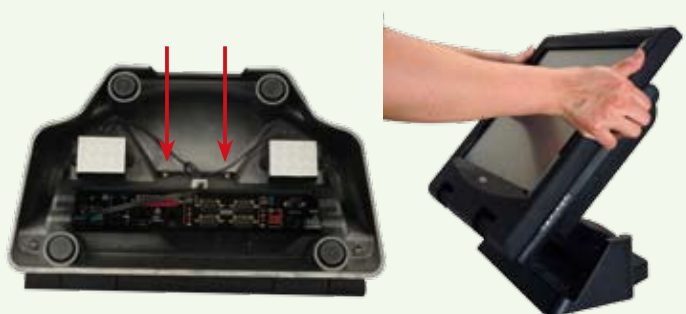
Various Mounting Solutions for Diverse Environment

• Wall-mounting



• Sturdy Stand

The sturdy steel stand ensures the EP-162/165 series stability and is ideal for small space.



Specifications

Fanless



Fanless



Model	EP-162-910	EP-162-945	EP-165-910	EP-165-945
LCD Size	12.1"	12.1"	15"	15"
CPU	Intel® Celeron® M 1GHz / 512KB L2 cache	Intel® Celeron® M1.8GHz/ 1MB L2 cache Intel® Core™ Duo 1.66GHz/ 2MB L2 cache	Intel® Celeron® M 1GHz / 512KB L2 cache	Intel® Celeron® M1.8GHz/ 1MB L2 cache Intel® Core™ Duo 1.66GHz/ 2MB L2 cache
Chipset	Intel® 910GML + ICH6-M	Intel® 945GME + ICH7-M	Intel® 910GML + ICH6-M	Intel® 945GME + ICH7-M
Graphic	Integrated in 910GML with DB-15 VGA output	Integrated in 945GME with DB-15 VGA output	Integrated in 910GML with DB-15 VGA output	Integrated in 945GME with DB-15 VGA output
Memory	Built-in 1GB DDR2 memory system supports 2 x 240 pin dual channel DDR2 400/533MHz up to 2GB	Built-in 1GB DDR2 memory system supports 2 x 240 pin dual channel DDR2 533/667MHz up to 4GB	Built-in 1GB DDR2 memory system supports 2 x 240 pin dual channel DDR2 400/533MHz up to 2GB	Built-in 1GB DDR2 memory system supports 2 x 240 pin dual channel DDR2 533/667MHz up to 4GB
Max Resolution	1024 x 768	1024 x 768	1024 x 768	1024 x 768
Brightness (cd/m2)	400	400	350	350
Contrast Ratio	500:1	500:1	700:1	700:1
LCD Color	262K	262K	262K	262K
Pixel Pitch (mm)	0.24(H) x 0.24(V)	0.24(H) x 0.24(V)	0.297(H) x 0.297(V)	0.297(H) x 0.297(V)
Viewing Angle (H-V)	120/ 100	120/ 100	140/ 125	140/ 125
Backlight MTBF	50000 hrs	50000 hrs	50000 hrs	50000 hrs
Touch Screen	Resistive Type 5-Wire, Support RS-232 interface. Capacitive Type supported by order		Resistive Type 5-Wire, Support RS-232 interface. Capacitive Type supported by order	
HDD	1 x 2.5" SATA HDD Bay		1 x 2.5" SATA HDD Bay	
SSD	1 x CF Type II slot		1 x CF Type II slot	
I/O Interface	Display	1 x VGA Port		1 x VGA Port
	PoweredUSB	7 x USB 2.0 : 2 x 5V PoweredUSB on the rear panel 2 x 5V PoweredUSB on the bottom panel 2 x 12V PoweredUSB on the bottom panel 1 x 24V PoweredUSB on the bottom panel		7 x USB 2.0: 2 x 5V PoweredUSB on the rear panel 2 x 5V PoweredUSB on the bottom panel 2 x 12V PoweredUSB on the bottom panel 1 x 24V PoweredUSB on the bottom panel
	Powered COM	5 x COM Port with LED indicators: 1x 5V Powered COM on the rear panel (COM2) 2x 5V/ 12V Powered COM on the bottom panel (COM3/ COM5) 2x 12V/ RI Powered COM on the bottom panel (COM4/ COM6)		5 x COM Port with LED indicators: 1x 5V Powered COM on the rear panel (COM2) 2x 5V/ 12V Powered COM on the bottom panel (COM3/ COM5) 2x 12V/ RI Powered COM on the bottom panel (COM4/ COM6)
	Cash Drawer Port	2 x 12V/ 24V RJ-11 connectors for cash drawer		2 x 12V/ 24V RJ-11 connectors for cash drawer
	LPT	1 x DB-25		1 x DB-25
	LAN	1 x giga LAN		1 x giga LAN
	Wireless	802.11 a/b/g with PIFA antenna, PCIe interface		802.11 a/b/g with PIFA antenna, PCIe interface
	Audio	3W + 3W amp. audio jack on the bottom		3W + 3W amp. audio jack on the bottom
	Power Switch	1 x 12V/ 24V 5 pin DC-IN Power Jack		1 x 12V/ 24V 5 pin DC-IN Power Jack
		1 x Power Switch with LED on Front Panel		1 x Power Switch with LED on Front Panel
		1 x AT / ATX Switch		1 x AT / ATX Switch
	Quick Buttons	Brightness & Volume control		Brightness & Volume control
	Power	Adapter	252W Power Adapter (ACE-D825A-H-RS)	
Input		12V/24V DC in		12V/24V DC in
Output		12VDC at 15A, 24VDC at 8A		12VDC at 15A, 24VDC at 8A
Consumption		50W	88W	50W
Mounting	Main display: STAND & VESA 100 Wall Mounting Second display: VESA 75 mounting		Main display: STAND & VESA 100 Wall Mounting Second display: VESA 75 mounting	
Construction	ABS + PC Plastic front Panel Aluminum Alloy Chassis		ABS + PC Plastic front Panel Aluminum Alloy Chassis	
Color	Black		Black	
Operation Temperature (°C)	0~40°C		0~40°C	
IP Level	IP64 (Front Panel)		IP64 (Front Panel)	
Safety & EMI	CE / EMC / FCC / CB / UL		CE / EMC / FCC / CB / UL	
Dimension (WxHxD)	327 x 294 x 219 mm		387 x 321x 221 mm	
Net Weight	6.84 Kg		8.34 Kg	

Optional Peripherals

• iSignager-LCD



Model	iSignager-LCD-10-R10	iSignager-LCD-12-R10	
LCD	LCD Size	10.4"	12.1"
	Max Resolution	800 x 600	1024 x 768
	Brightness (cd/m2)	400	450
	Contrast Ratio	500:1	700:1
	LCD Color	16.2M	262K
	Pixel Pitch (mm)	0.264 (H) x 0.264 (V)	0.240 (H) x 0.240 (V)
	Viewing Angle (H-V)	120/100	160/160
	Backlight MTBF	50000 hours	50000 hours
I/O interface	Video In/ Audio In	1 x RCA for composite video in 1 x 3.5mm phone jack for audio in	1 x RCA for composite video in 1 x 3.5mm phone jack for audio in
	USB	1 x USB 2.0	1 x USB 2.0
	Ethernet	1 x 10/100mBase-T	1 x 10/100mBase-T
	Wireless	802.11 b/g wireless	802.11 b/g wireless
	Serial Port	1 x RS-232	1 x RS-232
	Audio out	built-in 2 x AMP 1.5W speaker 1 x 3.5mm audio phone jack	built-in 2 x AMP 1.5W speaker 1 x 3.5mm audio phone jack
Power	Input Voltage	12VDC in	12VDC in
	Power adapter	60W ACDC Power Adapter 90VAC~240VAC @50~60Hz input	60W ACDC Power Adapter 90VAC~240VAC @50~60Hz input
	Consumption	27W	27W

• AFOLUX Monitor



Model	EPP-16-AFL-08M	EPP-16-AFL-10M
LCD Size	8.4"	10.4"
Max Resolution	800 x 600	800 x 600
Brightness (cd/m2)	450	400
Contrast Ratio	500:1	500:1
LCD Color	262K	16.2M
Pixel Pitch (mm)	0.213 (H) x 0.213 (V)	0.264 (H) x 0.264 (V)
Viewing Angle (H-V)	120/100	120/100
Backlight MTBF	50000	50000
Input Video Signal Connector	1. Composite (NTSC/ PAL) 2. YPbPr 3. S-Video 4. VGA	
Audio In	AMP 1.5W + AMP 1.5W (internal speaker)	
Extension	IR Sensor (Remote Control)	
Construction Front Panel	ABS and PC Plastic front frame	
Construction Chassis	Aluminum Chassis	
Power adapter	36W	
On Screen Display (OSD)	Remote Control for OSD Functions	
User's Control	Image (Brightness, Contrast, Sharpness) Display (Auto Adjust, Phase, Clock, Display Control) PIP (PIP On/Off, PIP Input Select, PIP Size, PIP Color Contrast, Blend) Color (Auto Color, Color Temperature, sRGB) System (Audio, Factory Reset, Information, Input Select, Misc)	
Mounting	Wall Mounting (VESA 75 x 75 mm)	
Operation Temperature	0°C~50°C	0°C~50°C
Dimension (WxLxD)	233.86 x 183.86 x 41.09 mm	276 x 227 x 50.7 mm
Net Weight	1.14 KG	1.33 KG
Front Panel Protection	IP64 Compliant	
EMC/Safety	CE, FCC, UL, CCC	

• **Magnetic Card Reader**



- 90mm Magnetic Strip Reader
- Read track: ISO 1,2 , 3 (IATA, ABA, THRIFT.MINTS)
- Card Standard: ANSI, ISO, ABA
- Power Requirement: +5VDC +/- 5%
- Reading Indicator: Beeper
- Operating Temperature: 0 - 40 degree C
- Relative Humidity: 20% to 85% (Non-Condensing)
- Cable Straight 5ft.
- Interface: USB

• **Smart Card Reader**



- Magnetic Card: ISO 7811, AAMVA, DMV, JIS-II
- Smart Card: ISO 7816, EMV
- Power Requirement: +5VDC +/- 5%
- Reading Indicator: Beeper
- Operating Temperature: -10 - 55 degree C
- Relative Humidity: 10% to 90% (Non-Condensing)
- Cable Straight 5ft.
- Interface: USB

Model	Ordering Information
Magnetic Card Reader	EPP-16MSR-U
Smart Card Reader	EPP-16MSI-U

• **Barcode Reader**



Scan Performance	Depth of Scan Field	0 -140 mm (0"-5.5") for 0.33mm (13mil) bar codes
	Width of Scan Field	49mm (1.9") @ face; 195mm (7.7") @140mm (5.5")
	Scan Speed	72 scan lines per second
	Scan Pattern	Single scan line
	Minimum Bar Width	0.102 mm (4 mil)
	Print Contrast	35% minimum reflectance difference
	Roll, Pitch, Yaw	42°, 68°, 52°
Mechanical	Length	169 mm (6.7")
	Weight (w/o Cable)	97g (3.41 oz)
	Termination	10 pin modular RJ-45
	Cable	Standard 1.5m straight; optional 2.7m coiled
Electrical	Input Voltage	+5V DC +0.25V
	Power	675mW
	Operating Current	135mA@ 5VDC
	System Interface	USB

Color	Ordering Information
White	AFLP-BRW01-U
Black	AFLP-BRB01-U

• **Cash Drawer**



Drawer	Heavy duty metal drawer with keylock
Casing	Robust metal construction
Front Panel	Robust metal construction
Lock	3 Position
Bill Tray	Separate coin tray removable from the bill tray. Adjustable dividers for four or five compartments
Coin Tray	Separate coin tray removable from the bill tray. Adjustable dividers for up to eight compartments
Slip Deposit Slot	Front access slot for check, credit card receipt, or any paper
I/O interface	6-pin RJ-12 phone jack for EPSON printer compatible
Solenoid	12V for 6 pin RJ-12 phone jack interface
Dimensions (WxLxH)	410 x 415 x 100 mm
Net Weight	6.8 KGs

Color	Ordering Information
White	AFLP-CW01-12V
Black	AFLP-CB01-12V

• Customer Display

Multi-language support, including USA, France, Germany, UK, Sweden, Denmark I & II, Italy, Spain, Norway, Japan (Kayakana), Slavonic, Russian, etc....



Model	Ordering Information
White	AFLP-CDW01
Black	AFLP-CDB01

Display	Vacuum Fluorescent Display Green
Display Pattern	5 x 7 dot matrix
Brightness	350- 700 cd/m ²
Character	95 Alphanumeric & 32 International Characters
Dot Size (X x Y)	0.86 mm x 1.2 mm
Font Size	5.25 (W) x 9.3 (H)
Character Number	20 x 2 for 5 x 7 font
Command	LD-220, EPSON POS D101, Aedex, UTC/S, UTC/P, ADM788, DSP800, CD5220, EMAX, LOGIC CONTROL
Dimension (Panel)	220 X 50 x 86 mm
Dimension (Support)	Two supports per package. Per support 130mm
Dimension (Base)	217 x 106 x 20 mm
Viewing Angle	Max 90°
Horizontal Rotation	Max 360°
Interface	USB
Power Source	+5V DC

• VFD Customer Display



Color	Ordering Information
With Bracket	EPP-16VFD-U
Without Bracket	EPP-VFD01-U

Display	Vacuum Fluorescent Display Green
Display Pattern	5 x 7 dot matrix
Brightness	350- 700 cd/m ²
Character	96 Alphanumeric & 13 International Characters 1 user define character
Character Size (X x Y)	9.0 mm x 5.25 mm
Font Size	5.25 (W) x 9.3 (H)
Character Number	40 characters (20 columns x 2 lines)
MTBF	25000 hours (power on time)
Dimension (Panel)	215 X 84 x 55 mm
Operating Temperature	5- 45 °C
Operating Humidity	30% - 85%
Storage Temperature	-10- 55°C
Storage Humidity	10% - 85%
Power Source	+5V DC
Power Consumption	3-6 W

• Thermal Printer



Color	Ordering Information
White	AFLP-TPW01
Black	AFLP-TPB01

Print Method	Direct thermal line printing
Casing	9x17/ 12x24 64/48 Columns 95 Alphanumeric; 32 International; 128x7 graphics Traditional/ Simplified Chinese, Japanese UPC-A, UPC-E, JAN8 (EAN8), JAN (EAN13), CODE 39, CODE 93, CODE 128, CODABAR
Print Speed	180mm/ sec (60 lps) max
Data Buffer	96 Kbytes or 2k bytes
Interface	RS 232C (32K)
Paper Dimensions	Thermal roll paper: 79.5 +/-0.5 x dia 83.0 mm
Paper Thickness	0.06 to 0.12 mm
Power	24VDC +/-7%
Current Consumption	Approx 2.0A (mean)
Overall Dimensions	146 (W) x 197(D) x 145 (H) mm
Power Adapter	Input 100-240V AC, Output 24VDC, 60W max.



Ordering Information

• EP Series POS

	Part No.	Description
EP-162 Series	EP-162-910-10G/WT-R/1GB	12.1" 400cd/m2 XGA POS PC with Celeron® M 1.0GHz 512K cache CPU,1GB DDR2 RAM, 802.11 a/b/g wireless module, Resistive touch screen, RoHS
	EP-162-945-CM440/WT-R/1GB	12.1" 400cd/m2 XGA POS PC with Celeron® M 440 1.8GHz CPU, 1GB DDR2 RAM, 802.11 a/b/g wireless module, Resistive touch screen, RoHS
	EP-162-945-T2300E/WT-R/1GB	12.1" 400cd/m2 XGA POS PC with Core™ Duo T2300E 1.66GHz CPU, 1GB DDR2 RAM, 802.11 a/b/g wireless module, Resistive touch screen, RoHS
EP-165 Series	EP-165-910-10G/WT-R/1GB	15" 350cd/m2 XGA POS PC with Celeron® M 1.0GHz 512K cache CPU,1GB DDR2 RAM, 802.11 a/b/g wireless module, Resistive touch screen, RoHS
	EP-165-945-CM440/WT-R/1GB	15" 350cd/m2 XGA POS PC with Celeron® M 440 1.8GHz CPU, 1GB DDR2 RAM, 802.11 a/b/g wireless module, Resistive touch screen, RoHS
	EP-165-945-T2300E/WT-R/1GB	15" 350cd/m2 XGA POS PC with Core™ Duo T2300E 1.66GHz CPU, 1GB DDR2 RAM, 802.11 a/b/g wireless module, Resistive touch screen, RoHS

• Optional Peripherals

	Part No.	Description
POS Stand	STAND-EP01	LCD STAND, FOR EP-16X SERIES, SUPPORT UP TO 10 KG, ROHS
LCD Mounting Kit	AFLWK-19	19" Monitor Wall mounting kit, ROHS
	AFLWK-19B	Wall mounting kit with lock, ROHS
AFOLUX Monitor	EPP-16-AFL-08M	8.4" 450cd/m2 high luminance SVGA LCD monitor with bracket for EP16X Series POS, RoHS
	EPP-16-AFL-10M	10.4" LCD Monitor with bracket for EP16X Series POS, RoHS
iSignager-LCD	iSignager-LCD-10	10" TFT LCD Monitor Network Digital Signage Display, With wireless modul, Plastic Front Panel Black Color, RoHS
	iSignager-LCD-12	12" TFT LCD Monitor Network Digital Signage Display, With wireless modul, Plastic Front Panel, Black Color, RoHS
VFD Customer Display	EPP-VFD01-U	Vacuum fluorescent customer display For EP series, 40 characters 20 columns x 2, USB interface, ROHS
	EPP-16VFD-U	Vacuum fluorescent customer display With bracket for EP-16X series, 40 characters 20 columns x 2, USB interface, ROHS
	AFLP-CDB01	Customer Display, VFD. 5x7 dot matrix, RS232, black color
	AFLP-CDW01	Customer Display, VFD. 5x7 dot matrix, RS232, white color
Cash Drawer	AFLP-CB01-12V	Cash drawer, 12V DC input, 6-pin RJ-12 phone jack, black color
	AFLP-CW01-12V	Cash drawer, 12V DC input, 6-pin RJ-12 phone jack, white color
Bar Code Reader	AFLP-BRB01-U	Single-line, hand-held laser scanner, black color
	AFLP-BRW01-U	Single-line, hand-held laser scanner, white color
MSR (Magnetic Stripe Reader)	EPP-16MSR-U	Magnetic Stripe Reader with bracket for EP-16X Series POS, USB interface, ROHS
MSI (Magnetic Card/ Smart Card/ Dallas iButton)	EPP-16MSI-U	Hybrid Card Reader with bracket for EP-16X Series POS, USB interface, Magnetic, Smart Card, iButton, RoHS
Thermal Printer	AFLP-TPB01	Thermal Printer, 24VDC, RS232, thermal line printing, black color
	AFLP-TPW01	Thermal Printer, 24VDC, RS232, thermal line printing, white color
OS: Windows® WEPOS	EPCF-12-P910-WEPOS	12" Monitor OS Image with WEPOS, For EP-162-910 Series, W/Compact Flash Memory Card 1GB, RoHS
	EPCF-12-P945-WEPOS	12" Monitor OS Image with WEPOS, For EP-162-945 Series, W/Compact Flash Memory Card 1GB, RoHS
	EPCF-15-P910-WEPOS	15" Monitor OS Image with WEPOS, For EP-162-910 Series, W/Compact Flash Memory Card 1GB, RoHS
	EPCF-15-P945-WEPOS	15" Monitor OS Image with WEPOS, For EP-162-945 Series, W/Compact Flash Memory Card 1GB, RoHS
OS: Windows® XPE	EPCF-12-P910-XPE	12" Monitor OS Image with XPE, For EP-162-910 Series, W/Compact Flash Memory Card 1GB, RoHS
	EPCF-12-P945-XPE	12" Monitor OS Image with XPE, For EP-162-945 Series, W/Compact Flash Memory Card 1GB, RoHS
	EPCF-15-P910-XPE	15" Monitor OS Image with XPE, For EP-162-910 Series, W/Compact Flash Memory Card 1GB, RoHS
	EPCF-15-P945-XPE	15" Monitor OS Image with XPE, For EP-162-945 Series, W/Compact Flash Memory Card 1GB, RoHS
OS: Windows® CE	EPCF-12-P910-CE	12" Monitor OS Image with CE, For EP-162-910 Series, W/Compact Flash Memory Card 128MB, RoHS
	EPCF-12-P945-CE	12" Monitor OS Image with CE, For EP-162-945 Series, W/Compact Flash Memory Card 128MB, RoHS
	EPCF-15-P910-CE	15" Monitor OS Image with CE, For EP-162-910 Series, W/Compact Flash Memory Card 128MB, RoHS
	EPCF-15-P945-CE	15" Monitor OS Image with CE, For EP-162-945 Series, W/Compact Flash Memory Card 128MB, RoHS



Headquarters

IEI Technology Corp.

TEL : +886-2-8691-6798 FAX : +886-2-6616-0028
sales@pacsmate.com www.pacsmate.com
No. 29, Jhongsing Rd., Sijhih City, Taipei County, 221, Taiwan

America

IEI Technology USA Corp.

TEL : +1-909-595-2819 Fax: +1-909-595-2816
sales@pacsmate.com www.pacsmate.com
168 University Parkway, Pomona, CA 91768

China

IEI Technology Corp.

TEL : +86-21-3462-7799 FAX : +86-21-3462-7798
sales@pacsmate.com www.pacsmate.com
3F No. 1728 Yi-Shan Road, Min-Hang, ShangHai, China