



FULL HD Network Player with Live input -

Show live TV and be more attractive!

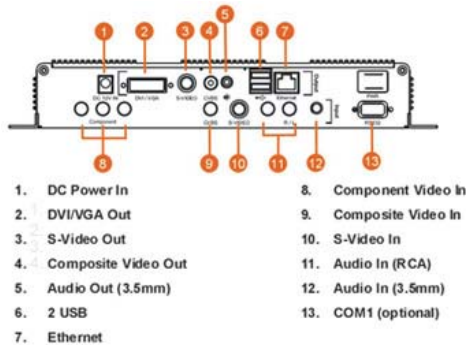
Winmate's Network Player family is growing very fast and just got an other brand new Model! The MSS650 is a Full HD Player, same as MSS550, supported with MSO Gold as Management Software, but with additional Video input.

This can be used to show Live TV, Satellite TV, Corporate Videos or Camera Signals. This feature is also embedded in the planning and can be scheduled with just a few clicks.



[See the Promotion Video here!](#)

Winmate introduces the Full HD Network Media Player MSS650, which supports MPEG1, MPEG2, MPEG4, WMV9 playback in HD quality, and also accepts additional Live Video input. With its Network platform, MSS650 can be updated through network as a remote client. User can manage and update many MSS650 network players at various locations all at one computer terminal!



Key Features

- S-Video, CVBS or Component PAL or NTSC Input
- Playback of MPEG 1,2,4, WMV9 or H264 Video Files
- Playback of JPG, BMP or PNG Pictures
- RSS-Feed and HTML Bulletin with automatic update times
- LiveInput can be used like a MediaFile, just Drag&Drop to the playlist
- 5W power consumption and robust reliable design

Your Market Advantage:

- Add live TV as Shows, SmallTalk, News, Sports events, into your Digital Signage Advertising and make it more attractive for your Customers
- Scheduling of the LiveInput as easy as to play a MPEG file
- Just connect the TV Tuner, and it works!
- Most Powersaving with only 5W !
- For Reliable and Professional using
- designed for a lifetime of 10 years of operation



Order your sample today and see how it works!

How to use Live Input Feature of MSS650:

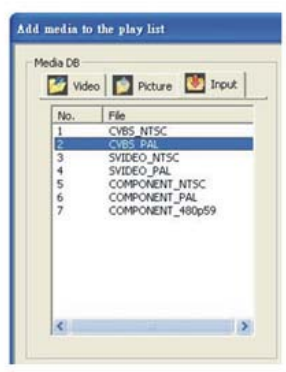
Step 1: Connect Live Input devices with S-Video, Composite, or Component input.



Step 2: Select appropriate Input type for Input Tab in Playlist

Step 3: Transfer Playlist and Done!

Step 2



Step 3

