

12.1" Marine Bridge System Display

Model # R12L600-MRM2

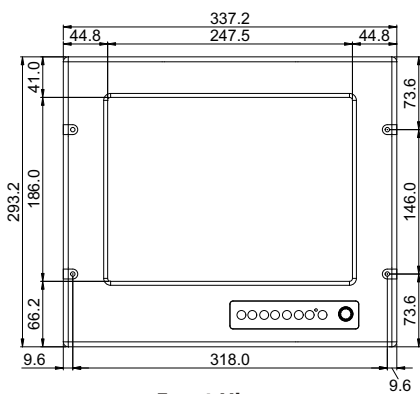


Features:

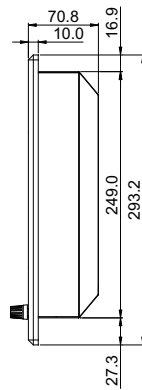
- Hyper Dimming : Dimming knob control backlight brightness from nearly 0% to 100%
- High Quality Panel : High resolution 1024x 768 panel
- Anti-Corrosion & IP Proof : IP65 aluminum housing with powder coating design (IP54 rear)
- Wide Voltage Range Input : 8 to 36VDC to DC power input acceptable (AC power for option)
- Touchscreen/ Protection Glass : High quality touchscreen/ AR protection glass for option
- Multiscan Function : PIP (picture in picture) function and multi-video inputs
- IP65 OSD Front Panel Design : Ease of use front panel OSD control
- Anti-Shock and Vibration : Enhanced shock and vibration resistance



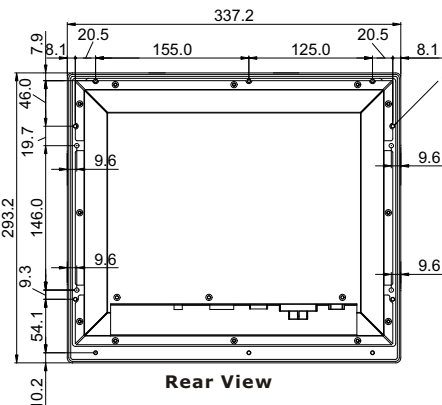
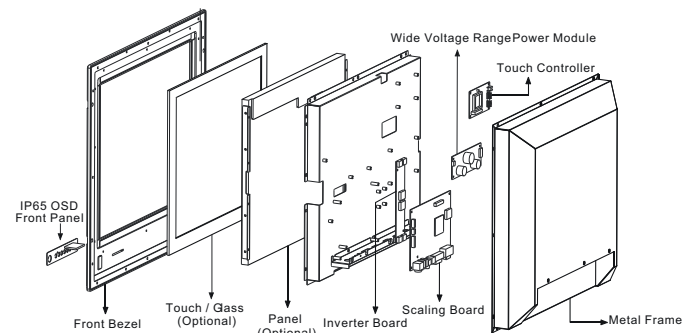
Mechanical Design Drawings



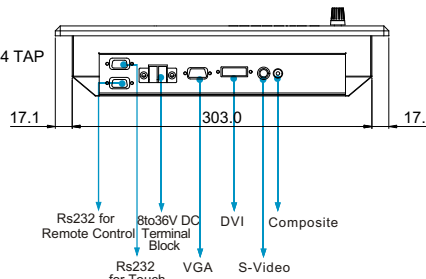
Front View



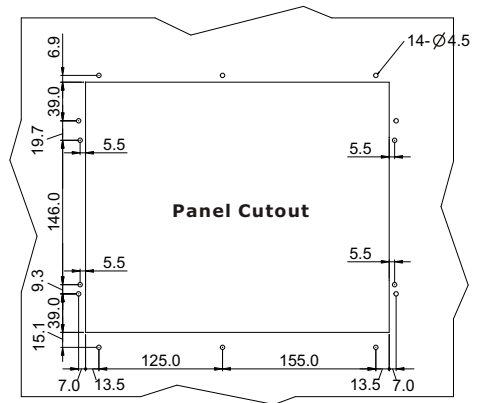
Side View



Rear View



Bottom View



All Dimensions are ±0.5 mm

TFT Characteristics:

- Pixel Number : 1024 x 768
- Pixel Pitch (RGB) : 0.240 (H) x 0.240 (V) mm
- Contrast Ratio : 550:1 (typ.)
- Light Intensity : 300 cd/m² (typ.)
- Viewable Angles : -50~50(H); -60~60(V)
- Active Display Area : 245.76 (H) x 184.32 (V) mm
- Max Colors : 262,144 (6bit/colors)

Input Signals:

- RGB Signal : D-SUB 15P connector (female)
- Composite Video : RCA phono plug
- S-Video Signal : S-Video (SVHS) plug
- DVI-D Signal : DVI-D input 24pin connector
- DC Power Signal : Screw terminal block
- AC Power Signal (Optional) : Std IEC Inlet
- Touch Screen (Optional) : D-SUB 9P connector (female)
- Remote via RS-232 (Optional) : D-SUB 9P connector (female)

User Controls:

- Power On/Off via front button
- VR Brightness Knob Control
- Power Mode Status LED
- On Screen Display control (OSD)
- OSD Remote Control via RS-232

Power Specifications:

- Power Supply Options : 8 to 36 V DC to DC power supply with terminal block
90 to 265 V AC (optional)
- Power Consumption : 32 W typical, normal operation

Environmental Considerations:

- Operating Temperature : -10 to 55 deg.C (-20 to 60 deg.C for optional heating)
- Operating Humidity : 5% to 95% (non condensing)
- Anti-Vibration : 5Hz~500Hz / 1Grms/3 Axis
- Anti-Shock : 15G, 11ms duration

Available Options:

- Mechanical Options : Panel (Flush) mount with IP65*
- Touch Screen Options : SAW, 5 Wire Resistive
- AR Safety Glass Option : 3mm Anti-reflective protection glass
- * SAW touch for IP54

Certification and Approvals : CE, FCC, DNV Type Approval (Pending)



Note: All Specifications are subject to change without prior notice!

Revised Date : 4/20/2007