



Winmate launches new Customized LCD TV Product Line

Winmate has developed an industrial grade Customized LCD TV product line. We have two standard housing types, panel mount and open frame for the Customized LCD TV. Panel mount LCD TV is with a sleek aluminum front bezel and open frame LCD TV is with an extremely versatile open-frame metal to be excellent for any space-constricted applications within a variety of different environments. The LCD TV set uses de-interlacing graphic processor and generate high resolution image than traditional TV set which has limited resolution.

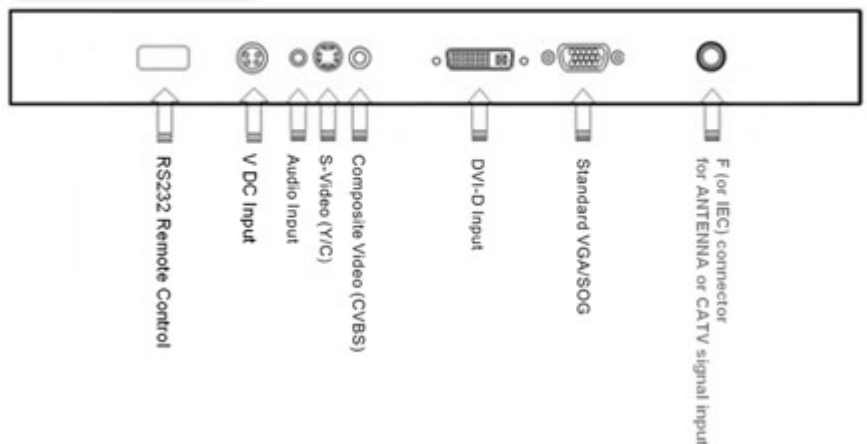
The LCD TV are compatible with NTSC or PAL analog TV system and equipped with VGA D-sub, DVI-D, Composite, S-video, audio inputs and OSD controller and infra red (IR) remote controller. A component (YPbPr) input is available for 24"~42".

Features and Benefits

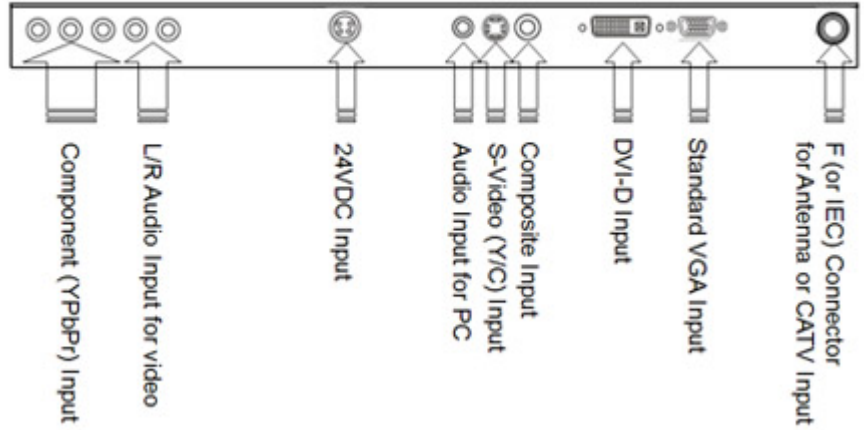
- NTSC or PAL analog TV system
- IR Remote Controller
- 1x Composite Video Input, RCA
- 1x S-Video Video Input, 4 pin Mini-DIN
- 1x Component(YPbPr) Video Input (24"~42")
- 1x VGA input, D-sub 15 pin
- 1x 3.5mm Audio input
- 1x L/R Audio input (for 24"~42" models)
- 2W(for 20.1" below) / 5W(for 24"~26") / 10W(32" above) stereo speakers
- Adjustable TV function: MTS, TV/CATV, Auto Scan, Channel Memory, Channel Delete, Last Channel Recall, Timer for sleep, PIP, POP, aspect ratio changing, etc.

LCD TV input connectors:

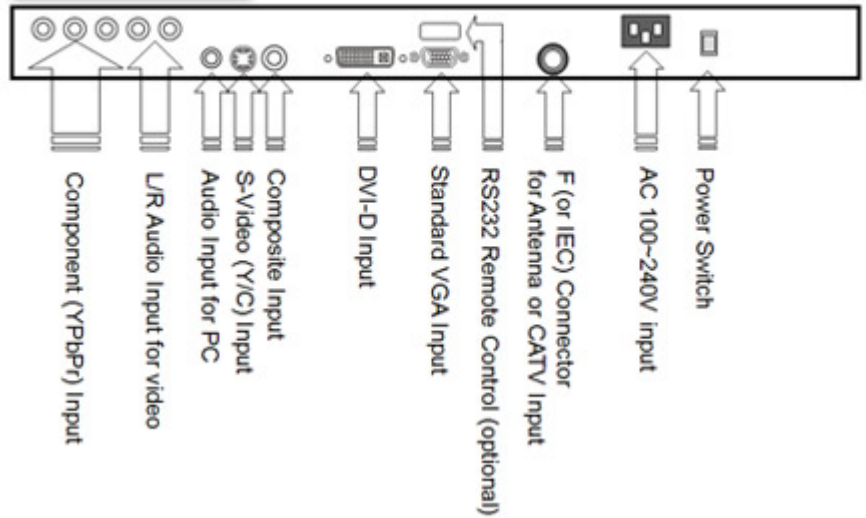
>> 20.1" below



» 24"~37"



» 42"



Customized Panel Mount LCD TV Series :



R15L630-PMM4TV
 Type : 15" color active matrix TFT LCD
 Number of pixels : 1024 x 768
 Contrast Ratio : 700:1 (typ.)
 Brightness : 450 (typ.)



W24L110-PMS1TV
 Type : 24" color active matrix TFT LCD
 Number of pixels : 1920 x 1200
 Contrast Ratio : 1000:1 (typ.)
 Brightness : 400 (typ.)



W15L110-PMM3TV
 Type : 15.4" color active matrix TFT LCD
 Number of pixels : 1280 x 800
 Contrast Ratio : 400:1 (typ.)
 Brightness : 500 (typ.)



W26L110-PMA2TV
 Type : 26" color active matrix TFT LCD
 Number of pixels : 1366 x 768
 Contrast Ratio : 250:1 (typ.)
 Brightness : 450 (typ.)

S17L540-PMM1TV
 Type : 17" color active matrix TFT

W32L110-PMA1TV
 Type : 32" color active matrix TFT



LCD
 Number of pixels : 1280 x 1024
 Contrast Ratio : 800:1 (typ.)
 Brightness : 300 (typ.)



LCD
 Number of pixels : 1366 x 768
 Contrast Ratio : 2000:1 (typ.)
 Brightness : 450 (typ.)



R19L340-PMM2TV
 Type : 19" color active matrix TFT LCD
 Number of pixels : 1280 x 1024
 Contrast Ratio : 1300:1 (typ.)
 Brightness : 300 (typ.)



W37L110-PMA2TV
 Type : 37" color active matrix TFT LCD
 Number of pixels : 1366 x 768
 Contrast Ratio : 1000:1 (typ.)
 Brightness : 500 (typ.)



W19L340-PMM1TV
 Type : 19" color active matrix TFT LCD
 Number of pixels : 1440 x 900
 Contrast Ratio : 850:1 (typ.)
 Brightness : 300 (typ.)



W42L110-PML1TV
 Type : 42" color active matrix TFT LCD
 Number of pixels : 1366 x 768
 Contrast Ratio : 1100:1 (typ.)
 Brightness : 500 (typ.)



W20L110-PMA3TV
 Type : 20.1" color active matrix TFT LCD
 Number of pixels : 1366 x 768
 Contrast Ratio : 600:1 (typ.)
 Brightness : 450 (typ.)

Applications

The product combines many functions required and it is the best choice for customized applications.



- Transportation
- Public Access
- Restaurant

- Lodging / Bathroom
- Elevator
- Department store

