

Rugged Tablet IA80

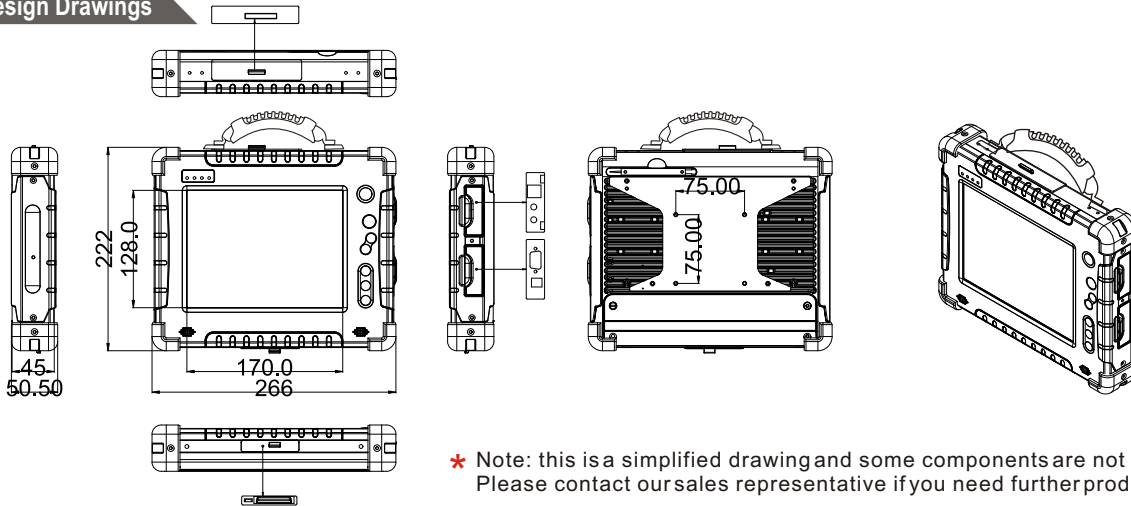
Model : R08IA8M-RTU1

Features:

- 8.4" High Quality SVGA Resolution TFT-LCD Panel
- High Performance, Lower Power Intel ATOM Processor 1.6GHz with Intel 945 GSE Chipset + ICH7M
- 1x SODIMM, Max. 2GB DDR2 400/533(Default 512MB)
- 4 Wire Resistive Sunlight Readable Touch Screen enhanced View ability (for Optional)
- Rugged Alu-Mg Alloy Housing Design with Protection Rubber for MIL-810F Shock, Vibration and Drop Std.
- Versatile Mobile Communication Functions including WWAN (GPRS/GSM/CDMA/UMTS/EDGE) and GPS Module can external by USB Module (for Optional)
- Wireless 802.11b/g and Bluetooth Module (for Optional)
- Ergonomic Portable Design with Handstrip and Carry Belt Accessories (for Optional)
- 6cell, 4800 mAh Lithium-Ion Battery Pack (3.5HRs Operating)
- Compact Design Suiting for Outdoor Use



Mechanical Design Drawings



* Note: this is a simplified drawing and some components are not marked in detail. Please contact our sales representative if you need further product information.

System Specification

Processor	: Intel Atom N270 1.6GHz
BIOS	: AMI System BIOS
System Chipset	: Intel 945 GSE Chipset + ICH7M
System Memory	: 1 x SODIMM, Max 2GB DDR2 400/533 (Default 512MB)
LAN Controller	: Realtek RTL8111B GigaLAN Controller, Single Gigabit LAN
Storage	: SATA interface for 2.5" 80GB HDD(Default), Industrial Compact Flash Card, 2.5" Automobile HDD or 2.5" Solid State Disk(SSD)
Audio	: Audio out for headset, Micro-in for microphone jack, 1.5W Speaker(Internal)
Expansion Slot	: PCI Express Card

Wireless Communication

WLAN	: 802.11b/g (internal Mini-card module)
Bluetooth	: Bluetooth (internal by usb module)
WWAN	: GSM/GPRS (PCIExpress Card) CDMA(PCIExpress Card) UMTS(PCIExpress Card) EDGE(PCIExpress Card)
GPS	: GPS Solution (PCIExpress Card)

Mechanical and Environment

Dimensions (W x L x H)	: 259 x 215 x 45 mm
Weight	: 2Kg(w/o)
Operation Temperature	: -20 deg.C to 60 deg.C
Operation Humidity	: 10% to 90% (non condensing)
IP Proof	: IP54
Mounting	: VESA mount, Vehicle mount
Shock*	: MIL-STD-810F M514.5
Vibration*	: MIL-STD-810F M514.5
Drop*	: 3 ft, Free to concrete
Certifications	: CE, FCC ClassB,UL

Display Specification

Pixel Number	: 800x600
Brightness	: 250cd/m ² (typ.)
Touch (Default)	: 4 Wire Resistive

I/O Connectors

Left I/O Port	: N/A
Right I/O Port	: 2 x USB 2.0 1 x Audio out Micro-in Jack 1 x Power Input Jack 1 x COM
Upper I/O Port	: 1x PCI Express Slot for Expansion, 1x USB Slot for Expansion
Downside Docking	: Docking Connector to expansion for 1 x LAN, 1 x VGA, 4 x USB and Docking Stand Power input

In front Control

Control Button	: 1x Menu Key control Brightness, Volume and Battery Status
LED indicator	: Power On/ Off / Battery / HDDAccess / Wifi On / Off

Power Management

Power input	: 19V DC
Power consumption	: 44W typ.
Battery	: Li-Ion battery 4800mAh, 11.1V
Battery Operating Time	: 3Hours
Charging time	: 2.5 Hours
Adapter	: 100-240V, 50-60Hz, 19VDC

Rev.	Reasons	Revised Date
1.1	Picture Change	Jan-05-09
1.2	Drawing Change	Jan-06-09
1.3	Spec Change	Jan-07-09

* When use SSD or Industrial Compact Flash