

# POC-3174B

## Medical Panel PC with UPS Function



- 17" all-in-one medical panel PC
- High performance Intel® Core™ 2 Duo® CPU support
- Various expansion slots for powerful upgrade advantage
- Built-in battery for UPS function
- Smart AUPS battery monitoring utility
- Network remote management advantage
- User friendly touch screen



### Battery

- Type: Li-Ion 4S2P
- Normal Voltage: 14.8V, 3800mAh
- Backup: 100W/10min



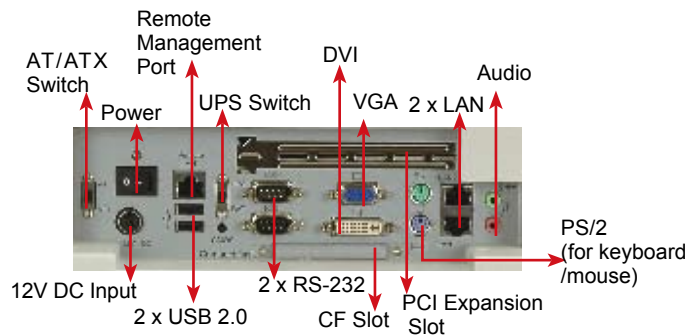
### Adapter

DC 12V Power In



### The Best Integration with Medical Cart

The built-in battery provides the UPS (Uninterruptible Power Supply) function, ensuring the POC-3174B reliably used for the medical cart application. The built-in battery allows standby power for data backup and management under sudden power shut-down situation, increasing redundancy for real-time medical record processing. The unique AUPS software facilitates real-time battery monitoring requirement. The network remote management software enables power control for each terminal POC-3174B from a central station, reducing the maintenance cost for the end user.



### Power Management by UPS Function

The built-in Li-Ion battery provides the UPS function, avoiding unexpected power disruption, which causes data loss or fatalities. Via battery, the POC-3174B increases mobility for medical application. The smart AUPS software allows the below battery monitoring functions, including "current power source", "battery status", "charging status" and "percentage remaining".



### Super Connectivity

The POC-3174B supports numerous I/O interfaces, enabling connections with medical devices, such as RFID readers, barcode readers and blood sugar meters. The POC-3174B is a perfect medical information terminal.

### Value-Added Network Connection Advantage

The POC-3174B has two Gigabit Ethernet LAN connectors and wireless 802.11a/b/g/n network connections, enabling real-time and reliable medical record transmission.



### IP 64 Front Panel for Best Reliability

The POC-3174B is designed with IP 64 dustproof and waterproof front panel, allowing easy cleaning with disinfectant without harming the panel itself.

### Powerful Expansion Advantage

The POC-3174B has a PCI slot and Express Card 54/ slot, allowing powerful system expansion capabilities. The expansion slots enable easy connection with video capture cards, communication modules and card reading modules.

### Reliable Touch Screen Design

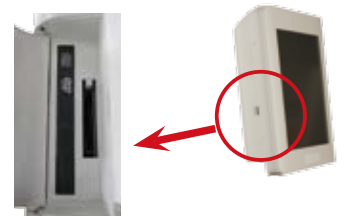
The POC-3174B is equipped with reliable 5-wire resistive type touch screen. The touch screen makes medical order entry much easier when used as an information terminal.



### Optical Drive for Image burning Advantage

The POC-3174A has an optical drive at the side of the panel, allowing real-time image burning purpose. The built-in optical drive makes POC-3174A a perfect image processing terminal.

Optical Drive and Express Card Slot



# Specifications

Model	POC-3174B-A320	POC-3174B-A330
CPU	Intel® Core™ 2 Duo Socket P (T7500-2.2G/ Celeron® M 550-2.0G)	2.0 GHz Intel® Pentium® M 760
Chipset	Intel® GME965 + ICH8M	Intel® 915GM + ICH6M
RAM	2 x 2.0 GB (max.) DDR2 SO-DIMM (system max. 4.0 GB)	2 x 1.0 GB (max.) DDR2 SO-DIMM (system max. 2.0 GB)
LCD Size	17"	
Resolution	1280 x 1024	
Touch Screen (RS-232 interface)	Resistive 5-Wire	
I/O Ports	2 x USB 2.0 3 x RS-232 2 x Gigabit Ethernet (GbE) 1 x VGA 1 x DVI 2 x Audio 2 x PS2 1 x AC Power inlet connector	
Driver Bay	1 x 2.5" SATA HDD 1 x IDE CF card 1 x Slim Type DVD Combo	
Wireless (Mini PCIe interface)	802.11 a/b/g/n Intel® 4965	
Expansion Slot	1 x PCI 1 x Express Card/54 Slot	
Speakers	2 x 3W AMP	
OSD Function	Five bottom panel buttons for LCD on/off , Light + , - , Audio + , -	
LED Function	Four LED on front panel for System/ Adapter/ Battery/ UPS Function	
IP Level	IP64 on front panel	
Power In	DC 12V input	
Power Adapter	Medical Grade, AC 100V~240V input to DC 12V output	
AUPS Function	Yes (Battery 3800mAH)	
Operation Temperature	0°C~40°C	
Safety & EMI	UL60601-1 , EN60601-1 ,CCC , CE(EN60601-1-2) ,FCC Part 18	
Dimensions (W x H x D)	432mm x 374mm x122mm	432mm x 374mm x122mm
Net Weight (kg)	8.0	8.0
Optional Mounting Kit	ARM : ARM-31-RS STAND: STAND-300SW-RS	

## Ordering Information

Part No.	Description
POC-3174B-A320-T7500/2GB/80GB	17" medical panel PC, with 2.2GHz Intel® Core™ 2 Duo(T7500) CPU, 2GB DDR2 SO-DIMM RAM, 80GB SATA HDD, DVD combo, wireless 802.11 a/b/g/n, touch Screen, battery 3800mAH and AC to DC power adapter, RoHS
POC-3174B-A320-CM550/2GB/80GB	17" medical panel PC, with 2.0 GHz Celeron® M (Celeron® M 550) CPU, 2GB DDR2 SO-DIMM RAM, 80GB SATA HDD, DVD combo, wireless 802.11 a/b/g/n, touch Screen, battery 3800mAH and AC to DC power adapter, RoHS
POC-3174B-A330-PM760/1GB/80GB	17" medical panel PC, with 2.0 GHz Pentium® M (Pentium® M 760) CPU, 1GB DDR2 SO-DIMM RAM, 80GB SATA HDD, DVD combo , wireless 802.11 a/b/g/n, touch Screen, battery 3800mAH and AC to DC power adapter , RoHS



### Headquarters

#### IEI Technology Corp.

TEL : +886-2-8691-6798 FAX : +886-2-6616-0028  
sales@pacsmate.com www.pacsmate.com  
No. 29, Jhongsing Rd.,Sijhih City,Taipei County, 221, Taiwan

### America-United States

#### IEI Technology USA Corp.

TEL : +1-909-595-2819 Fax: +1-909-595-2816  
sales@pacsmate.com www.pacsmate.com  
168 University Parkway, Pomona, CA 91768

### China

#### IEI Technology (Shanghai) Co.,Ltd.

TEL :+86-21-3462-7799 FAX : +86-21-3462-7798  
sales@pacsmate.com www.pacsmate.com  
3F., No.1728, Yi-Shan Road, Min-Hang, Shanghai,China