

Rugged Tablet V280

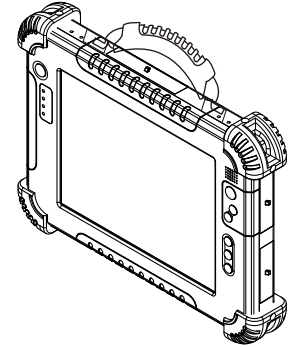
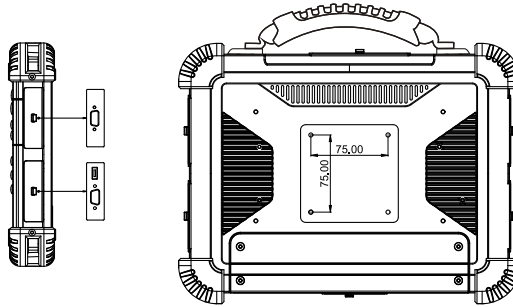
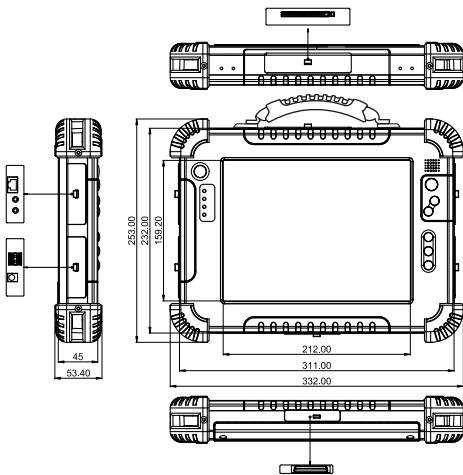
Model : R10V28M-RTU1A

Features:

- 10.4" High Quality SVGA Resolution TFT-LCD Panel
- High Performance, Lower Power VIA C7M Nano Processor 1.2GHz with VX700 Chipset
- 1x SO-DIMM, Max. 1GB DDR2 400(Default 512MB)
- 4 Wire Resistive Sunlight Readable Touch Screen enhanced Viewability (for Optional)
- Rugged Alu-Mg Alloy Housing Design with Protection Rubber for MIL-810F Shock, Vibration and Drop Std.
- Versatile Mobile Communication Functions including WWAN (GPRS/ GSM/ CDMA/ UMTS/ EDGE)and GPS Module through PCMCIA (for Optional)
- Wireless 802.11b/g and Bluetooth Module build-in
- Ergonomic Portable Design with Handstrip and Carry Belt Accessories (for Optional)
- 6cell,4800mAh Lithium-Ion Battery Pack(3.5HRs Operating)
- Compact Design Suiting for Outdoor Use



Mechanical Design Drawings



* Note: this is a simplified drawing and some components are not marked in detail. Please contact our sales representative if you need further product information.

System Specification

- Processor : VIA C7M Nano Processor, 1.2GHz
- BIOS : AMI System BIOS
- System Chipset : VIA VX700
- System Memory : 1 x SODIMM, Max 1GB DDR2 400(512MB Default)
- LAN Controller : Realtek RTL8110S Chipset, 10/100/1000 Mbps
- Storage : IDE interface for Compact Flash, 2.5" 80GB HDD(Default), 2.5" Automobile HDD or SSD
- Audio : Audio out for headset, Micro-in for microphone jack, 1.5W Speaker (Internal)
- Expansion Slot : PCMCIA

Wireless Communication

- WLAN : 802.11b/g (internal usb module)
- Bluetooth : Bluetooth (internal by usb module)
- WWAN(optional) : GSM/GPRS (PCMCIA)
: CDMA(PCMCIA) / UMTS(PCMCIA)
: EDGE(PCMCIA)
- GPS(optional) : GPS Solution (PCMCIA)

I/O Connectors

- Left I/O Port : 1x LAN, 2x USB 2.0, 1x Audio out, Micro-in Jack, 1x Power Input Jack
- Right I/O Port : 1x COM, 1x VGA, 1x USB 2.0
- Upper I/O Port : 1x PCMCIA Slot for Expansion
- Downside Docking Conn. : 1 x Docking connector for expansion 4xUSB, and Docking Stand Power input

In front Control

- Control Button : 1x PWR/Suspend button, Menu Key, Up Key, Down Key, 3 x Programmable Hotkeys / Max. 6 Function Keys
- LED indicator : Power On/ Off / Battery / HDD Access / Wifi On / Off

Display Specification

- Size : 10.4 inch
- Resolution : 800x600 pixels
- Brightness : 220 cd/m2
- Touch : 4 Wire Resistive(Optional for sunlight readable)

Mechanical and Environment

- Dimensions (W x L x H) : 311 x 232 x 45 mm
- Weight : 2.2Kg (w/o accessories)
- Operating Temperature : -20 deg.C to 60 deg.C
- Operating Humidity : 10% to 90% (non condensing)
- IP Proof : IP54 by whole unit(front side by IP65)
- Mounting : VESA mount, Vehicle mount
- Shock* : MIL-STD-810F M516.5
- Vibration* : MIL-STD-810F 514.5
- Drop* : MIL-STD-810F M516.5, 4 ft. Free to concrete
- Certifications : CE, FCC ClassB, UL, MIL 810F for Vibration / Shock / Drop / Temp, UL60601-1 Medical Certification

* When use SSD or Industrial Compact Flash

Power Management

- Power Input : 19V DC
- Power Consumption : 30W typ.
- Battery : Li-Ion battery 4800mAh, 11.1V
- Battery Operating Time : 3.5 Hours
- Charging time : 2.5 Hours
- Adapter : 100-240V, 50-60Hz, 19VDC

Outdoor readability(for Sunlight Readable Touch)(Optional)

■ Ambient light(nit)	15,000	30,000	80,000
■ Brightness gain* (nit)	295	355	540
■ Reflectance (net) (%)	0.5%	0.45%	0.4%

* Simulated brightness number for reference.