

1
Automation

2
Point of Service

3
Digital Signage

4
RISC-based Solutions

5
Medical Solutions

AFOLUX - 6 Series

26"/42" Large Screen IP64 Panel PC Series

Up to **540 Mbps**



AFL-26AE SAW Touch Panel

FULL HD
1920 x 1200



AFL-642AE SAW Touch Panel

Features

- WiFi 802.11b/g/n connection
- Built-in two speakers
- Built-in Bluetooth technology rids systems of cables and allows wireless connection to peripheral devices like headphones, printers, barcode readers or game controllers
- The Ambient Light Sensor helps conserve energy
- VESA-mountable for flexibility in mounting and deployment
- SAW touch screen with durable glass construction is perfect for healthcare, retail and hospitality applications (Optional)
- 42" tempered glass with AR(anti-reflection) coating (Optional)
- Ease of use OSD control below the front panel

Bluetooth WiFi CERTIFIED HSUPA Integrated Audio Touch Screen IP 64

42" Anti-reflective tempered glass increases legibility in high-ambient light environment (For Tempered Glass Protection Models)

AFOLUX tempered glass series use 4 layer hard coating to reduce the sunlight reflected from the surface of the panel, increases contrast ratio and image readability even when used in outdoors.

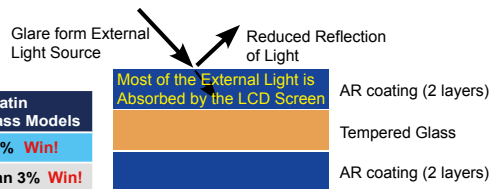


Conventional

With AR Coating

- Reduced intensity of reflected light
- No image distortion
- Higher contrast
- Wider viewing angles
- Colors are more vibrant

Behavior of Light Reflected by LCD Screen



	Conventional Monitor	AR Coatin Tempered Glass Models
Transmission	90%	96±3% Win!
Reflection	9%	Less than 3% Win!

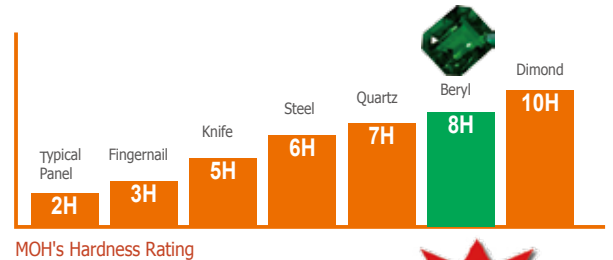
8H Stronger Protection

(For Tempered Glass Protection Models)

The IEI AFOLUX tempered glass monitor's strictly tested 8H hardness is stronger than the conventional panel and therefore is able to protect the screen from damage. It offers protection in a wide variety of applications.



Hardness Test (JIS-K5600)



Solid SAW Touch Panel

Touch Screen Technology			
	Resistive	Surface Capacitive	SAW
Sensing method	Hand or stylus	Hand	Hand or Gloved Hand
Sensing Medium	ITO film or glass	ITO glass	Glass
Transmittance degree	80%~90%	90% above	92% above WIN!
Touch accuracy	Good	Normal	Excellent WIN!
# of touches in lifetime (mn)	35	200	100
Strength	Waterproof, dirt-proof	Fireproof, dirt-proof, not easily scratches, Long life	Fireproof, high reliability, not easily scratches, Long life
Weakness	Easily scratched	Easily affected by EMI	-



Durable SAW touch screen made of pure glass construction

Wireless Connection

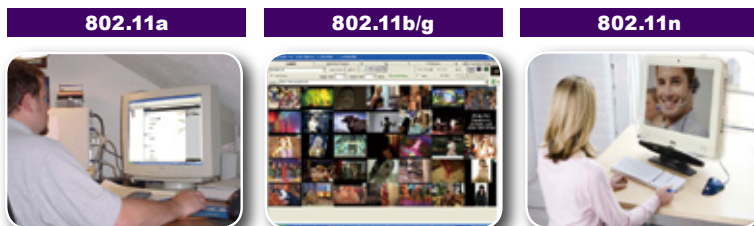


Some of the current and emerging applications that are driving the need for 802.11n are Voice over IP (VoIP), streaming video and music, gaming, and network attached storage.

	802.11b	802.11g	802.11n
Data Rate (Mbps)	11	54	540
Range (Radius Indoor)	38 Meters	38 Meters	70 Meters
Range (Radius Outdoor)	140 Meters	140 Meters	250 Meters
Radio Frequency	2.4 GHz to 2.5 GHz	2.4 GHz to 2.5 GHz	2.4 GHz or 5 GHz



• Video On Demand (VOD)



Access to email, instant image and the Internet

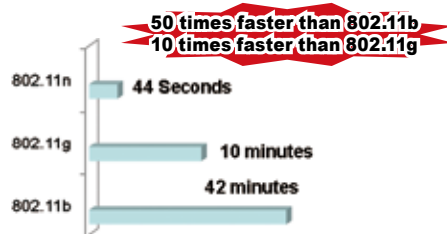
Streaming music Streaming video

VoIP /Gaming /NAS



Do wires still inconvenience you when you try to connect peripherals to your system? The Bluetooth module integrated into the AFOLUX all-in-one panel PC transmits information between peripheral devices through a complete Bluetooth network.

Compares the time it would take to transfer a 30-minute video file. At the best data transfer rate, it would take 42 minutes to copy the file using 802.11b, and less than a minute with a 802.11n.



Push Marketing



AFOLUX PPC being used as an advertising unit to send the promotion content via Bluetooth technology



Bluetooth Speakers



Bluetooth enabled cell phone



Music



Content



Audience receives content and music via Bluetooth technology

User-Friendly Interface



• User-accessible CF

CF slot on the bottom panel, making installing and replacing CF cards easy.

• Lockable HDD Drive

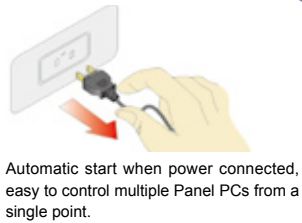
(For 42" AFOLUX PPC)



Selectable AT/ATX Mode

Easily select the AT/ATX power mode with an easily accessed switch.

AT Mode



ATX Mode



Power management function turns the system to standby mode to save power when the Panel PC is not used
Remote control via Network

Intelligent Light Sensor

Intelligent adjusts the screen brightness to match the ambient light. If the ambient light is very bright, the sensor increases the screen's brightness; conversely, if the PPC is used in a darkened room, the display is dimmed.



Typical Monitor			
With Intelligent Light Sensor			

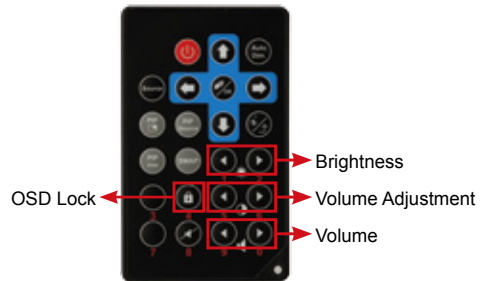
- Reduces cost of operation by reducing the power usage
- Extends backlight life
- Provides comfortable viewing

OSD Adjustment with Remote Control

For convenience, AFL-26AE/642AE series is especially designed with OSD keypad below the front panel allowing fast volume and brightness adjustment.



- Volume Adjustment
- Brightness Adjustment
- Auto Adjustment
- LCD On/Off
- OSD Lock Function



CD/DVD/Blu-ray Drive Bay provides extra storage capacity

There two options for disk drives in AFL-6 series:



A. Slim Type CD-RW/DVD Combo Drive

For convenience, AFL-26AE/642AE series is especially designed with OSD keypad below the front panel allowing fast volume and brightness adjustment. The drive is able to write CD-R/RW discs and also can perform as a regular DVD-ROM drive.

Drive Type	Internal Slim CD-RW/DVD Combo Drive	
Data Transfer Rate	Write: CD-R: 24X CD-RW: 24X	Read: DVD-ROM: 8X CD-ROM: 24X
Interface	SATA	
Buffer Memory	2MB	

B. High Capacity Full HD Storage Medium-Blu-ray (Only for Intel GM45 Platform)

- Full HD high-definition media playback
- More than five times the storage capacity of traditional DVDs
- Backwards compatible with DVD/CD

	Blu-ray	DVD
Laser wavelength	405 nm (blue-violet laser)	650 nm (red laser)
Storage capacity	High Storage Capacity 25 GB per layer (single side) 50 GB both layer	4.7 GB per layer 8.5 GB both layer
Numerical aperture, NA	0.85	0.60
Protection Layer	0.1mm	0.6mm
Raw data transfer rate	Higher data transfer rate 36.0Mbps 53.95Mbit/s (1.5x)	11.08 Mbit/s 10.08 Mbit/s
Mandatory video codecs	MPEG-2 MPEG-4 AVCVC-1	MPEG-2
Video resolution (maximum)	Full HD 1920x1080	* 720 x 480 (NTSC) 720 x 576 (PAL)

* NTSC mean in USA and Canada or PAL mean in Europe, Australia and New Zealand.

1
Automation

2
Point of Service

3
Digital Signage

4
RISC-based Solutions

5
Medical Solutions

Blu-ray enriches the Applications

• Building, Airport, Road Surveillance System Storage Media



Blu-ray vs. DVD Capacity

Single-layer DVD disc

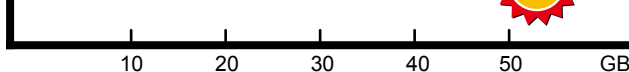
4.7 GB of data
Average two-hour standard-definition video

Single-layer Blu-ray disc

27 GB of data
More than 13 hours of standard video
More than two hours of high-definition video

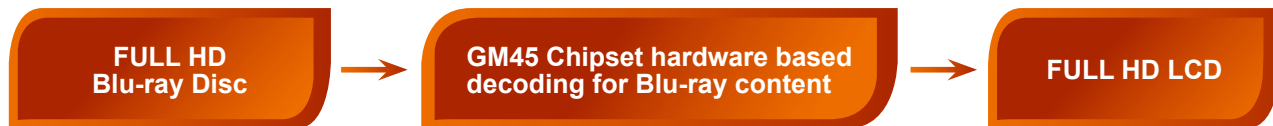
Double-layer Blu-ray disc

54 GB of data
More than 20 hours of standard video
9 hours of high-definition video



• The most Powerful x86 architecture Digital Signage System

AFL-26AE/642AE GM45 systems with Intel's 4500MHD HD graphics core, which makes sure you are getting the best graphics possible. It also has Blu-Ray video playback, you could encode and decode many video formats and etc thanks to ClearVideo technology.



	Content Format			Compatibility	Interactivity	Real Time Information	ImageQuality	
	Video Format Support	Graphics Format Support	Others					
RISC-based Digital Signage 	Fewer	Fewer	-	Dual Mirror Display	Confined to specific program	-	Normal	
X86-based Digital Signage 	More	More (HTML, TIFF, RAW, Flash, Dynamic GIF)	Windows Media, Powerpoint	Dual Independent Display	Compatible with Windows based application program	Built-in touchscreen and bluetooth draw your customers in and keeps them involved	Wireless /HSUPA	3D comb filter and noise reduction technology enhance more crystal-clear picture



IEI Quick Mounting Technology

● Install Anywhere

● Lift Stand



Comfortable Stand



● Wall Arms



● Wall Mounts



● Ceiling Mounts



● Mobile Mounts



	STAND-A26-R10	ARM-50	WK-80	CEILMT-135	STAND-M100
Weight Capacity	7.3–16.3 kg	< 50 Kg	< 80 Kg	< 135 Kg	< 100 Kg
Monitor Swivel	0 °	20 °	0 °	20 °	0 °
Swivel (Left / Right)	0 °	360 °	0 °	180 °	0 °
Pivot (Up / Down)	+25°/-5	45 °	0 °	20 °	0 °
Mounting	VESA 75mm x 75mm VESA 100mm x 100mm VESA 200mm x 100mm VESA 200mm x 200mm	VESA 75mm x 75mm VESA 100mm x 100mm VESA 200mm x 100mm VESA 200mm x 200mm	VESA 75mm x 75mm VESA 100mm x 100mm VESA 200mm x 100mm VESA 200mm x 200mm	VESA 400mm x 200mm VESA 400mm x 400mm	VESA 100mm x 100mm VESA 200mm x 100mm VESA 200mm x 200mm VESA 400mm x 200mm VESA 400mm x 400mm



1

Automation

2

Point of Service

3

Digital Signage

4

RISC-based Solutions

5

Medical Solutions

Large Size 26" WUXGA / 42" FULL HD AFOLUX Panel PCs

AFL-26AE/642AE-AM2

AMD Athlon™ 64 X2 Dual-Core Processor 5050e CPU

AFL-26AE/642AE-GM45

Intel® Core 2 Duo T9400 2.53GHz Processor (max.)

1
Automation

Specifications

Model	AFL-26AE-AM2	AFL-26AE-GM45	AFL-642AE-AM2	AFL-642AE-GM45
LCD Size	26"		42"	
Max Resolution	1920 x 1200		1920 x 1080	
Brightness (cd/m ²)	300		500	
Contrast Ratio	1000:1		2500:1	
LCD Color	16.7M			
Pixel Pitch (mm)	0.2865(H) x 0.2865(V)		0.4845(H) x 0.4845(V)	
Viewing Angle (H-V)	170°/150°		178°/178°	
Backlight MTBF (hrs)	50000		60000	
SBC Model	AFLMB-690EAM2	AFLMB2-GM45-R10	AFLMB-690EAM2	AFLMB2-GM45-R10
CPU	AMD Athlon™ 64 X2 Dual-Core Processor 5050e CPU	Celeron® M575 2.0GHz / Core™2 Duo T7500 2.2GHz / Core™2 Duo T9400 2.53GHz / Core™2 Duo P8400 2.26GHz	AMD Athlon™ 64 X2 Dual-Core Processor 5050e CPU	Celeron® M575 2.0GHz / Core™2 Duo T7500 2.2GHz / Core™2 Duo T9400 2.53GHz / Core™2 Duo P8400 2.26GHz
Chipset	AMD 690E	Mobile Intel® GM45	AMD 690E	Mobile Intel® GM45
RAM	Supports one 2GB (Maximum) 400MHz, 533MHz, 667MHz or 800MHz DDRII SO-DIMM	Supports two 2GB (Maximum) 533MHz/667MHz DDRII SO-DIMM	Supports one 2GB (Maximum) 400MHz, 533MHz, 667MHz or 800MHz DDRII SO-DIMM	Supports two 2GB (Maximum) 533MHz/667MHz DDRII SO-DIMM
I/O Ports and Switches	1 x RS-232 COM Port 1 x RS-232/422/485 COM port 2 x RJ-45 for Giga LAN 4 x USB 2.0 1 x Power Switch 1 x Reset Button 1 x External SATA 1 x Audio Port 1 x VGA Port	1 x RS-232 COM Port 1 x RS-232/422/485 COM port 2 x RJ-45 for Giga LAN 4 x USB 2.0 1 x Power Switch 1 x Reset Button 1 x HDMI Port 1 x Audio Port 1 x VGA Port	1 x RS-232 COM Port 1 x RS-232/422/485 COM port 2 x RJ-45 for Giga LAN 4 x USB 2.0 1 x Power Switch 1 x Reset Button 1 x External SATA 1 x Audio Port 1 x VGA Port	1 x RS-232 COM Port 1 x RS-232/422/485 COM port 2 x RJ-45 for Giga LAN 4 x USB 2.0 1 x Power Switch 1 x Reset Button 1 x HDMI Port 1 x Audio Port 1 x VGA Port
Drive Bay	SSD	CF Typell		
	ODD	CD/DVD Combo Drive (Optional)	CD/DVD Combo Drive Blu-Ray Drive (Optional)	CD/DVD Combo Drive Blu-Ray Drive (Optional)
	HSUPA	1 x HSUPA Mobile Module (USB Interface)		
Watchdog Timer	Software programmable supports 1~255 sec. System reset			
Audio	AMP 6W + 6W	AMP 5W + 5W	AMP 10W + 10W	AMP 10W + 10W
Extension	1 x Wireless 802.11 b/g/n Lan Module (Mini PCIe Interface) 1 x Bluetooth Module (USB Interface)			
HDD Drive Bay	1 x 2.5" SATA HDD bay			
HSUPA Mobile Solution (Optional)	1 x HSUPA Mobile Module (USB Interface)			
Construction Material	ABS + PC Plastic front frame		Metal front frame	
OSD function	1. OSD Keypad below the Front Panel 2. Remote Control for OSD Function			
LED Function	1 x Power ON/OFF LED on Front Panel			
Mounting	Wall, Stand and Arm / VESA 200mm x 100mm		Wall, Stand and Arm / VESA 400mm x 200mm	
Front Panel Color	Black C			
Dimension (WxHxD) (mm)	624 x 427 x 97		1026 x 626 x 127	1026 x 626 x 127
Operation Temperature (°C)	0°C ~40°C With HDD 0°C ~45°C With CF Card or SATA interface 2.5" SSD HDD			
Storage Temperature (°C)	-20°C ~60°C			
Net Weight	12 Kg	12 Kg	35 Kg	35 Kg
IP Level	IP64	IP64	IP64	IP64
Touch Screen	Surface Accoustic Wave Type (optional)	Surface Accoustic Wave Type (optional)	Surface Accoustic Wave Type (optional)	Surface Accoustic Wave Type (optional)
Power Requirement	100VAC~240VAC, 50/60Hz	100VAC~240VAC, 50/60Hz	100VAC~240VAC, 50/60Hz	100VAC~240VAC, 50/60Hz
Power Consumption	187W	155W	293W	260W

2
Point of Service

3
Digital Signage

4
RISC-based Solutions

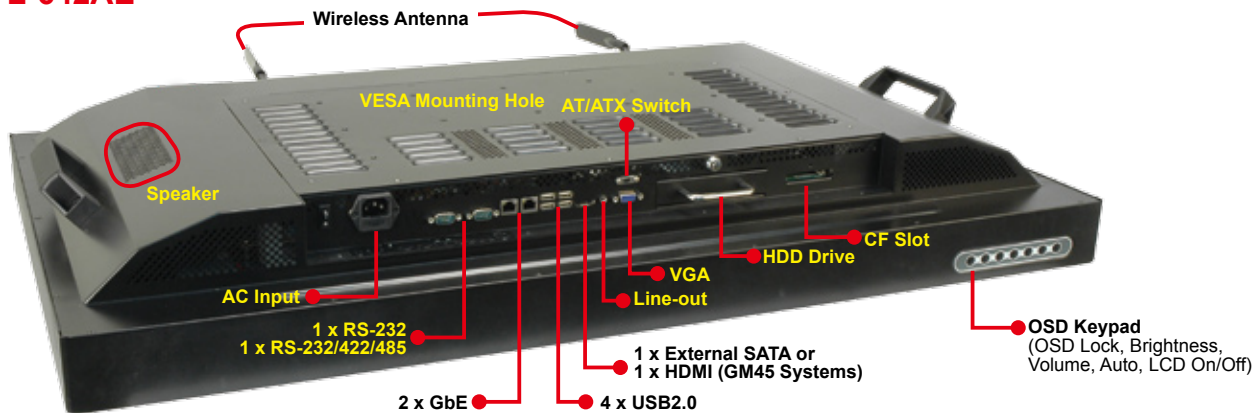
5
Medical Solutions

Fully I/O

● AFL-26AE

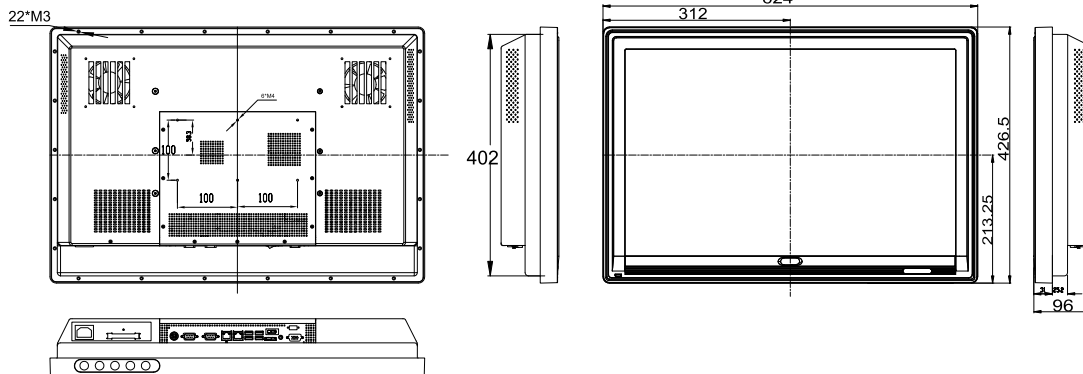


● AFL-642AE

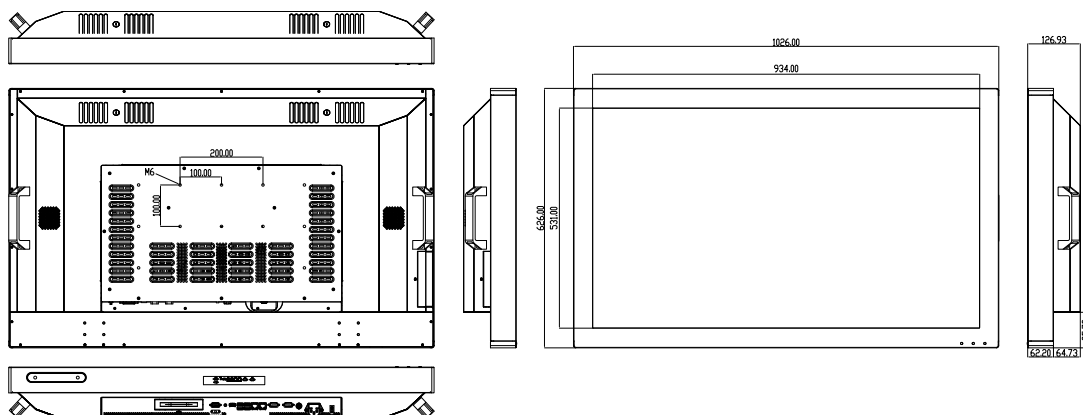


Dimensions

● AFL-26AE



● AFL-642AE



1
Automation

2
Point of Service

3
Digital Signage

4
RISC-based Solutions

5
Medical Solutions

Naming Rule

AFL-642 AE-GM45-T9400/W T-S/OD/2G/HU01-R10

A	B	C	D	E	F	G	H
A: Display Size 26=26" WUXGA (1920 x 1200) 42=42" FULL HD (1920 x 1080)				E: LCD Protection T-S=SAW (Surface Acoustic Wave) Touch Screen Empty=Tempered GlasA: Display Size			
B: Mechanism Design				F: Optical Disk Drive (For GM45 Systems) OD=CD/DVD COMBO BD=BLU-RAY ROM			
C: Chipset/CPU Code				G: Memory Capacity 1G=1GB DDR2 RAM 2G=2GB DDR2 RAM			
D: WiFi 802.11 b/g/n				H: HSDPA Connection			

Ordering Information

26" 1920 x 1200 TFT LCD

Model	Description
SAW Touch Panel	AFL-26AE-AM2/WT-S/1GB-R11 26" 300cd/m ² WUXGA panel PC with AMD socket AM2 Athlon™ 64 X2 Dual-Core 5050e 2.6GHz CPU, 1GB DDR2 RAM, 802.11 b/g/n wireless module, SAW touch screen, Bluetooth, RoHS
	AFL-26AE-GM45-CM575/WT-S*(OD)/1G/**(HU01)-R10 26" 300cd/m ² WUXGA panel PC with Celeron® M 575 2.0GHz CPU, 1GB DDR2 RAM, 802.11 b/g/n wireless module, SAW touch screen, Bluetooth, RoHS
	AFL-26AE-GM45-T7500/WT-S*(OD)/2G/**(HU01)-R10 26" 300cd/m ² WUXGA panel PC with Core™2 Dou T7500 2.2GHz CPU, 2GB DDR2 RAM, 802.11 b/g/n wireless module, SAW touch screen, Bluetooth, RoHS
	AFL-26AE-GM45-P8400/WT-S*(OD)/2G/**(HU01)-R10 26" 300cd/m ² WUXGA panel PC with Core™2 Dou P8400 2.26GHz CPU, 2GB DDR2 RAM, 802.11 b/g/n wireless module, SAW touch screen, Bluetooth, RoHS
	AFL-26AE-GM45-T9400/WT-S*(OD)/2G/**(HU01)-R10 26" 300cd/m ² WUXGA panel PC with Core™2 Dou T9400 2.53GHz CPU, 2GB DDR2 RAM, 802.11 b/g/n wireless module, SAW touch screen, Bluetooth, RoHS
Tempered Glass Protection	AFL-26AE-AM2/W/1GB-R11 26" 300cd/m ² WUXGA panel PC with AMD socket AM2 Athlon™ 64 X2 Dual-Core 5050e 2.6GHz CPU, 1GB DDR2 RAM, 802.11 b/g/n wireless module, Bluetooth, RoHS
	AFL-26AE-GM45-CM575/W*(OD)/1G/**(HU01)-R10 26" 300cd/m ² WUXGA panel PC with Celeron® M 575 2.0GHz CPU, 1GB DDR2 RAM, 802.11 b/g/n wireless module, Bluetooth, RoHS
	AFL-26AE-GM45-T7500/W*(OD)/2G/**(HU01)-R10 26" 300cd/m ² WUXGA panel PC with Core™2 Dou T7500 2.2GHz CPU, 2GB DDR2 RAM, 802.11 b/g/n wireless module, Bluetooth, RoHS
	AFL-26AE-GM45-P8400/W*(OD)/2G/**(HU01)-R10 26" 300cd/m ² WUXGA panel PC with Core™2 Dou P8400 2.26GHz CPU, 2GB DDR2 RAM, 802.11 b/g/n wireless module, Bluetooth, RoHS
	AFL-26AE-GM45-T9400/W*(OD)/2G/**(HU01)-R10 26" 300cd/m ² WUXGA panel PC with Core™2 Dou T9400 2.2GHz CPU, 2GB DDR2 RAM, 802.11 b/g/n wireless module, Bluetooth, RoHS

* OD=CD/DVD COMBO, BD=BLU-RAY ROM

42" FULL HD TFT LCD

Model	Description
SAW Touch Panel	AFL-642AE-AM2/WT-S/1GB-R11 42" 500cd/m ² 1920 x 1080 panel PC with AMD socket AM2 Athlon™ 64 X2 Dual-Core 5050e 2.6GHz CPU, 1GB DDR2 RAM, 802.11 b/g/n wireless module, SAW touch screen, Bluetooth, RoHS
	AFL-642AE-GM45-CM575/WT-S*(OD)/1G/**(HU01)-R10 42" 500cd/m ² 1920 x 1080 panel PC with Celeron® M 575 2.0GHz CPU, 1GB DDR2 RAM, 802.11 b/g/n wireless module, SAW touch screen, Bluetooth, RoHS
	AFL-642AE-GM45-T7500/WT-S*(OD)/2G/**(HU01)-R10 42" 500cd/m ² 1920 x 1080 panel PC with Core™2 Duo T7500 2.2GHz CPU, 2GB DDR2 RAM, 802.11 b/g/n wireless module
	AFL-642AE-GM45-P8400/WT-S*(OD)/2G/**(HU01)-R10 42" 500cd/m ² 1920 x 1080 panel PC with Core™2 Duo P8400 2.26GHz CPU, 2GB DDR2 RAM, 802.11 b/g/n wireless module
	AFL-642AE-GM45-T9400/WT-S*(OD)/2G/**(HU01)-R10 42" 500cd/m ² 1920 x 1080 panel PC with Core™2 Duo T9400 2.53GHz CPU, 2GB DDR2 RAM, 802.11 b/g/n wireless module
Anti-Reflective Tempered Glass Protection	AFL-642AE-AM2/W/1GB-R11 42" 500cd/m ² 1920 x 1080 panel PC with AMD socket AM2 Athlon™ 64 X2 Dual-Core 5050e 2.6GHz CPU, 1GB DDR2 RAM, 802.11 b/g/n wireless module, Bluetooth, RoHS
	AFL-642AE-GM45-CM575/W*(OD)/1G/**(HU01)-R10 42" 500cd/m ² 1920 x 1080 panel PC with Celeron® M 575 2.0GHz CPU, 1GB DDR2 RAM, 802.11 b/g/n wireless module, Bluetooth, RoHS
	AFL-642AE-GM45-T7500/W*(OD)/2G/**(HU01)-R10 42" 500cd/m ² 1920 x 1080 panel PC with Core™2 Duo T7500 2.2GHz CPU, 2GB DDR2 RAM, 802.11 b/g/n wireless module, Bluetooth, RoHS
	AFL-642AE-GM45-P8400/W*(OD)/2G/**(HU01)-R10 42" 500cd/m ² 1920 x 1080 panel PC with Core™2 Duo P8400 2.26GHz CPU, 2GB DDR2 RAM, 802.11 b/g/n wireless module, Bluetooth, RoHS
	AFL-642AE-GM45-T9400/W*(OD)/2G/**(HU01)-R10 42" 500cd/m ² 1920 x 1080 panel PC with Core™2 Duo T9400 2.53GHz CPU, 2GB DDR2 RAM, 802.11 b/g/n wireless module, Bluetooth, RoHS

* OD=CD/DVD COMBO, BD=BLU-RAY ROM

Packing List

Item	P/N	Q'ty	Remark
IR Remote Controller	7Z000-8T00322ICP01G-RS	1	
Power Cord	32000-000002-RS	1	Length:1830mm
Antennas	32500-004000-RS	2	For 42" AFOLUX PPC
User's Manual CD-ROM		1	

Optional Mounting Kits

Mounting Kits	Model	
	26" LCD	42" LCD
WALL MOUNTS	WK-80	
WALL ARMS	ARM-50	
Stand	Desktop	STAND-A26
	Mobile	STAND-M100
Ceiling Mount Kit	CEILMT135	