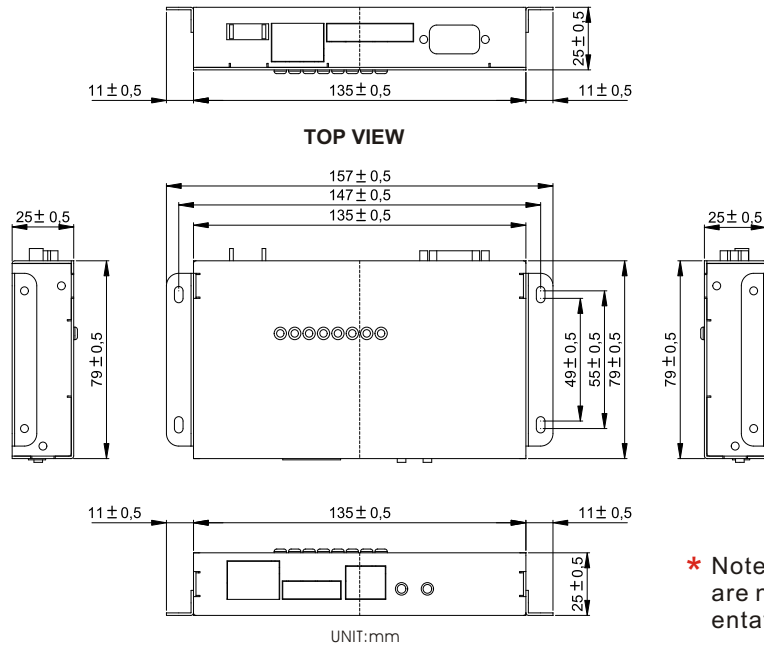


# Central Power Management

CPM100 BOX

## BOX Mechanical Drawing



\* Note: this is a simplified drawing and some components are not marked in detail. Please contact our sales representative if you need further product information.

## System Specifications

### General :

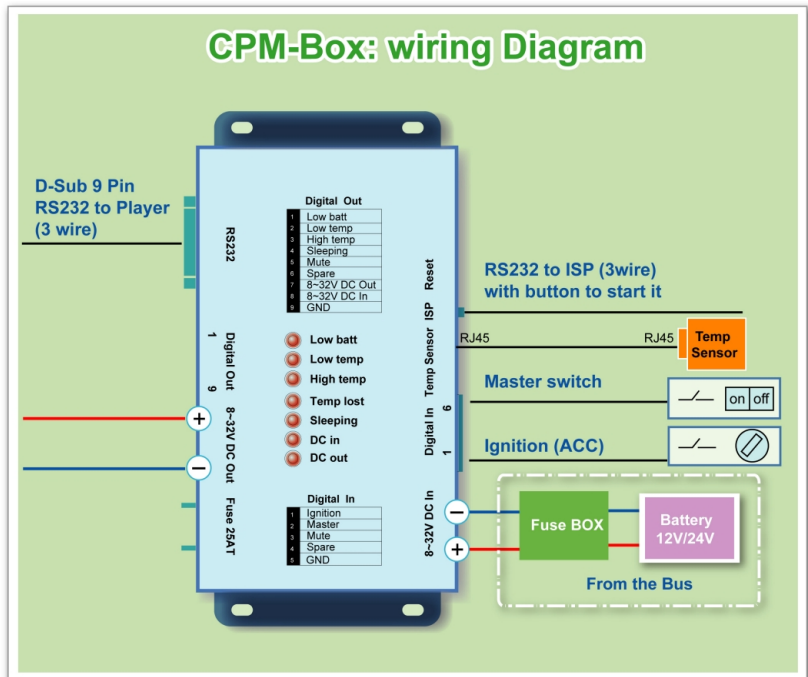
- Dimensions : 135(W)x79(H)x25(D)
- Weight : Approx. 0.2 kg

### Environment Considerations:

- Operating Temperature : -40 to 80°C
- Humidity : 5-85%@50°C

### Input/Output:

- Battery In : 8~32V DC in
- DC Out : 8~32V DC out
- Fuse : 20AT
- RS232 : D-Sub 9 pin
- RS232 ISP : D-Sub 9 pin
- Digital Input : 6 pin header with lockable connector
- Digital Output : 9 pin header with lockable connector
- Temp Sensor : CAT5 Connector



Digital Out	Digital In	LED Indicator
Pin 1 Low batt	Pin 1 Ignition	Low batt
Pin 2 Low temp	Pin 2 Master	Low temp
Pin 3 High temp	Pin 3 Mute	High temp
Pin 4 Sleeping	Pin 4 Spare	Temp lost
Pin 5 Mute	Pin 5 GND	Sleeping
Pin 6 Spare		DC IN
Pin 7 8~32V DC Out		DC Out
Pin 8 8~32V DC In		
Pin 9 GND		

## APPROVALS & CERTIFICATES

This product has been tested / approved by the following societies:



\*All Product specifications are subject to change without notice. All copyrights and belong to their respective companies.

Rev.	Reasons	Revised Date
1.0	First release	Nov-13-08
1.1	Pic Change	Nov-24-08
1.2	Pic/Spec Change	Mar-17-09