

IEI designed a completely new modular architecture for its new AFOLUX GEN II panel PCs. A variety of expansion module boards connecting through a common interface give it functional versatility. The AFOLUX GEN II services diverse applications and is especially suited to self-service and interactive environments.

Date: July 28, 2010



Wide 15.6" Modular Expansion Panel PC AFOLUX GEN II

Expansion Module

- Easily adding functions on to the base system without mechanical change
- Fanless Intel® ATOM platform
- High media performance AMD 780E platform

Flexible Modular System Design

Seamless Flat-Bezel

EMWifare RFID Technology

Multi-touch Enabled

Wireless 802.11-b/g/n

Bluetooth

- | | | |
|---|--------------------------------------|--|
| Features | Rich Expansion | Seamless Flat-Bezel Design |
| Integrated EM / Mifare RFID Reader Design | Packing List | Ordering Information |
| Specifications | Dimensions | Optional Kit |
| Packing List | Ordering Information | Optional Modules |

About AFOLUX GEN II

15.6" Wide Modular Expansion Panel PC

IEI designed a completely new modular architecture for its new AFOLUX GEN II panel PCs. A variety of expansion module boards connecting through a common interface give it functional versatility. The AFOLUX GEN II services diverse applications and is especially suited to self-service and interactive environments.

Expansion Module



Intel® Atom™ Solution: AFL2-W15A-N270
AMD 780E Solution: AFL2-W15AL325



Features

â— Modular All-in-One System

Wide 15.6" all-in-one system is designed around its modularization architecture. Easy to expand and upgradeable functions via added modules increases system scalability and versatility.

â— Extraordinary Outlook

Sleek flat-bezel design makes the screen easy to clean and delivers stylish design. Slim body with only a 5 cm depth ensures the system is perfect for any public environment.

â— Reliable Design

IP64 compliant front panel protection resists water and dust invasion. Function modules based on board to board design ensures system reliability for delivery and transportation applications.

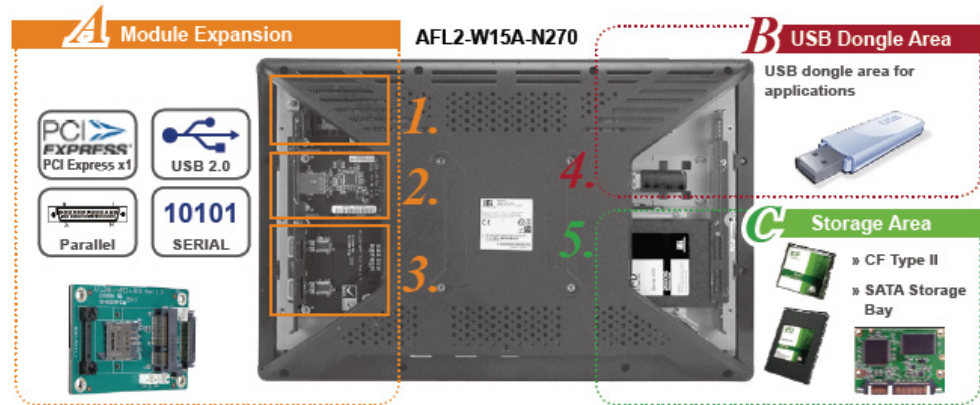
- 15" Wide 1366 x 768 modular Panel PC
- Diverse expansion modules ready extends the application capabilities of the AFL GEN II PPC
- Intel® Atom processor N270 1.6GHz CPU

- AMD ASB L325 dual core 1.5 GHz CPU
- Resistive touchscreen for single touch or projective capacitive touchscreen for multi-touch (Optional)
- Integrated EM or Mifare RFID reader (Optional)
- Built-in 1.3M pixel webcam and digital microphone
- Dual Gigabit Ethernet
- WiFi 802.11 b/g/n and Bluetooth connection
- Flat-bezel front panel
- Front panel is IP64 compliant

▲TOP

Rich Expansion

The guiding principle behind the AFOLUX GEN II is the ability to add expansion modules to the system mainboard facilitating simple expansion for system storage, PCI Express, parallel, serial and USB interface functions.



A. Module Expansion

AFL2-W15A-L325



Optional Modules

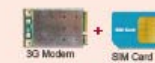
Function	Interface	IEI Module Board	Type
HSUPA 3.5G connection	PCIe Mini card	AFL2DB-MPCIE-R10 + Optional 3G Modem card	A
DVB-T/ATSC or Hybrid TV tuner	PCIe Mini card	AFL2DB-MPCIE-R10 + Optional TV tuner card	A
Ethernet	PCIe x1	AFL2DB-LAN-R10	A
USB 3.0	PCIe x1	AFL2DB-USB3-R10	A
Video capture card (4 port)	PCIe x1	AFL2DB-CPT4-R10	A
Serial Port	2 x Serial	AFL2DB-UART-R10	B

Type A Module



• AFL2DB-MPCIE-R10

PCIe Mini Card Carrying Module



• AFL2DB-LAN-R10

Giga Ethernet Module

• AFL2DB-USB3-R10

USB 3.0 Module

• AFL2DB-CPT4-R10

4 Channel Video Capture Module

Type B Module



• AFL2DB-UART-R10

Serial Extension Module

B. Universal USB Dongle Area

Rear Right Side View



AFL2-W15A-N270



Reserved internal USB slot allows fast deployment of diverse USB dongles.



C. Storage Area

Rear Right Side View



Reliable Anti-Vibration SSD

2.5" SATA SSD

- Vibration: 20 G (7~2000 MHz)
- Shock: 1500 G / 0.5 ms



SATA SSD Module

- Capacity 8 GB ~ 32 GB
- Data Transfer Rate Up to 90 / 30 MB
- Power Supply: 5 V
- Power Consumption: $\leq 250 / 150 \text{ mA}$

▲ TOP

Seamless Flat-Bezel Design

The AFOLUX GEN II adopts a flat glass bezel with projected capacitive or resistive touchscreen.

- â— Sleek and stylish design
- â— Perfect edge design prevents dust and water accumulation
- â— Easy to clean



▲ Advanced Flat-Bezel Design

▲ TOP

Integrated EM / Mifare RFID Reader Design

The integrated RFID reader in the AFOLUX GEN II system allows for great efficiency, while the Mifare reader has read/write capabilities to update tag data in the field. Together these make the AFOLUX GEN II the most advanced of interactive asset tracking and identification terminals.

RFID Specifications:

- â— Frequency: 125KHz or 13.56 MHz
- â— Reading distance: 5~7 cm
- â— Supports ISO 14443A Mifare® or EM Standard

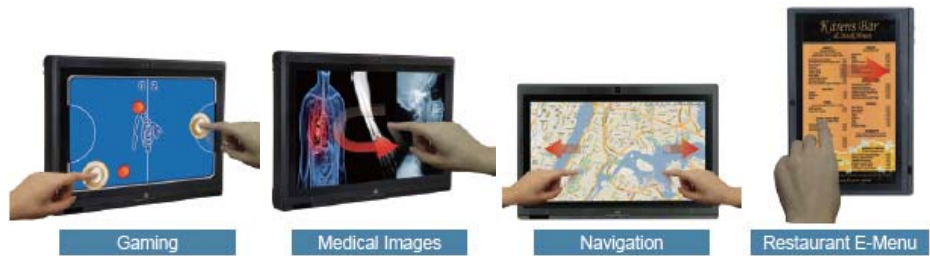


▲ TOP

Multi-touch Interaction

Projected Capacitive Touchscreen

- â— Freely rotate, zoom in and out to put focus on a specific photo, graphic or diagram
- â— Zero activation force results in a very light, quick and precise touch response
- â— Capable of finger or gloved hand operation



▲ TOP

Applications



▲ TOP

Specifications

	AFL2-W15A-N270	AFL2-W15A-L325
	LCD Specifications	
Size	Wide 15.6" TFT LCD	
Resolution	1366 x 768	
Brightness	250 cd/m2	
Contrast Ratio	500:1	
LCD Color	16.2M	
Pixel Pitch (mm)	0.252(H) x 0.252(V)	
Viewing Angle (H-V)	110°(H) / 85°(V)	
Backlight MTBF	50000 hrs	
	System	
CPU	Intel® Atom processor N270 1.6 GHz CPU	AMD ASB1 L325 dual core 1.5 GHz CPU
Chipset	Intel® 945GSE + ICH7M	AMD 780E + SB710
RAM	Support one 400 MHz or 533 MHz DDR2 SO-DIMM (2 GB max.)	Support two 400 MHz or 533 MHz DDR2 SO-DIMM (4 GB max.)
SSD	CF Type II	CF Type II
HDD	1 x 2.5" SATA HDD Bay	1 x 2.5" SATA HDD Bay
Watchdog Timer	Software programmable supports 1~255 sec. System reset	Software programmable supports 1~255 sec. System reset
Input / Output	1 x RS-232 COM Port 1 x RS-232/422/485 COM Port 1 x RJ-45 for GbE LAN 2 x USB 2.0 1 x Power Switch 1 x Reset Button 1 x Audio Port (Line out)	1 x RS-232 COM Port 1 x RS-232/422/485 COM Port 1 x RJ-45 for GbE LAN 4 x USB 2.0 1 x Power Switch 1 x Reset Button 1 x Audio Port (Line out)

	1 x VGA 1 x Power jack 1 x 8bit digital IO, 4bit input/4bit output (optional) 1 x External SATA	1 x VGA 1 x Power jack 1 x HDMI 1 x 8bit digital IO, 4bit input/4bit output (optional)
Expansion Interface	2 x PCIe x 1, 1 x USB Dongle, 1 x Parallel port expansion, 2 x Serial port expansion	2 x PCIe x 1, 1 x Parallel port expansion, 2 x Serial port expansion

Other Features

Mounting	AMP 1.5 W + 1.5 W (Internal speaker)
Camera	1.3 M pixel with low light function
RFID Reader	EM 125 KHz or Mifare 13.56MHz Card Reader (optional)
OSD Function	LCD on/off, Brightness Up/Down, Volume Up/Down Ambient Light Sensor
Infrared Remote Controller	LCD on/off, Brightness Up/Down, Volume Up/Down
TouchScreen	Resistive type 5-wire flat touch window (Single Touch) Or Projective Capacitive type flat touch window (Multi-Touch)

Wireless

1 x Optional HSUPA Mobile Module (PCIe mini card interface) (Support GSM 850, EGSM 900, DCS 1800 & 1900)	Supported Bands *HSPA/UMTS — 800/850/900/1900/2100 MHz
1 x Wireless Lan 802.11-b/g/n Module (internal PCIe Mini card interface)	*Quad-band EDGE/GPRS/GSM — 850/900/1800/1900 MHz
1 x Bluetooth Function (internal USB interface, Bluetooth V2.1+EDR)	*Dual-band EV-DO/CDMA — 800/1900 MHz

Physical

Construction Front Panel	ABS + PC Plastic front frame
Mounting	VESA 100 mm x 100mm
Color	Black C
Dimensions (mm)	400(W) x 267(H) x 54(D)
Weight(N)	3.8 kg

Environment

Temperature (°C)	Operation: -10°C ~ 50°C, Storage: -20°C ~ 60°C
IP Level	Front Panel IP64
Safety & EMI	CE / FCC / CB / CCC

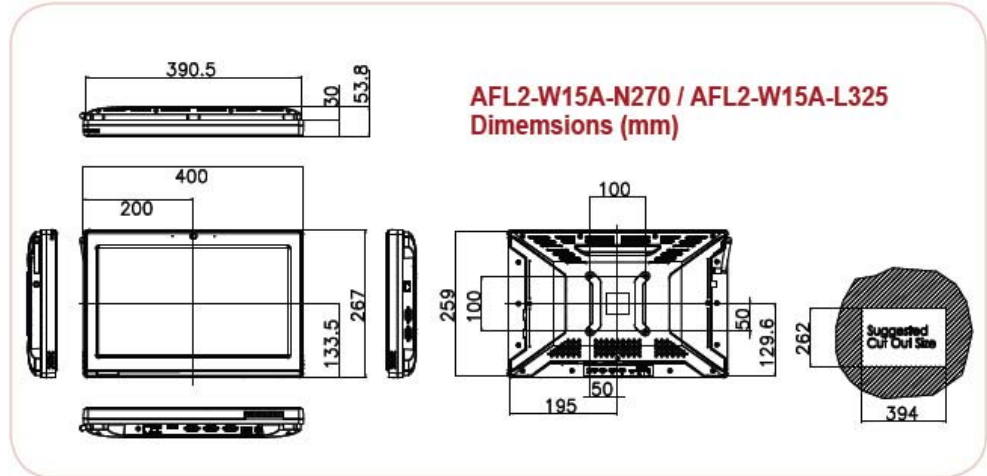
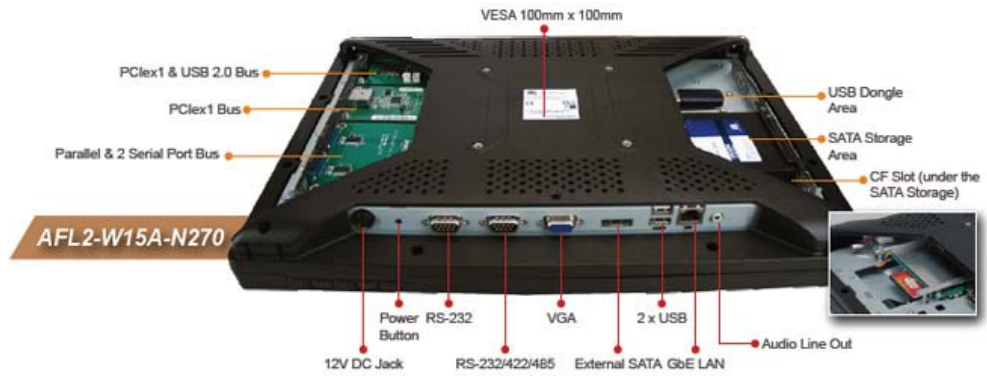
Power

Power Supply	60 W Power Adapter » Input: 90VAC~264VAC, 50/60Hz » Output: 12VDC	84 W Power Adapter » Input: 90VAC~264VAC, 50/60Hz » Output: 12VDC
Power Requirement	12VDC	12VDC
Power Consumption	51 W	68 W

[▲ TOP](#)

Dimensions (mm)





▲ TOP

Optional Kit

	1 x QIG AFL2-W15A-N270/R (Resistive type touch)	AFL2-W15A-N270/PC (PCT type touch)	AFL2-W15A-L325/R (Resistive type touch)	AFL2-W15A-L325/PC (PCT type touch)
Panel Mounting Kit			AFL2PK-W15A-R10	
Wall Mounting Kit			AFLWK-19	
ARM			ARM-11-RS / ARM-31-RS	
STAND			STAND-A19 / STAND-B19 / STAND-210-R11/STAND-C19	
Win CE 6.0	AFL2CF-W15-N270-CE060-R10 (128 MB CF card)		N/A	
Win XPE	AFL2CF-W15-N270-XPE-R10 (1 GB CF card)		AFL2CF-W15-L325-XPE-R10 (1GB CF card)	
OS Linux	AFL2CF-W15-N270-LNX-R10 (2 GB CF card)		AFL2CF-W15-L325-LNX-R10 (2GB CF card)	
Win 7	AFL2CF-W15-N270-WES7E-R10 (2 GB CF card)	AFL2CF-W15-N270-WES7P-R10 (2 GB CF card)	AFL2CF-W15-780-WES7E-R10 (2 GB CF card)	AFL2CF-W15-780-WE (2 GB CF card)
	AFL2SD-W15-N270-WES7E-R10 (4GB SATA SSD module)	AFL2SD-W15-N270-WES7P-R10 (4GB SATA SSD module)	AFL2SD-W15-780-WES7E-R10 (4 GB SATA SSD module)	AFL2SD-W15-780-WE (4 GB SATA SSD module)
DC 12V Input UPS	AUPS-B10-R10 (VESA 100, DC 12V input, 12V output 100 W UPS module with 3800 mAh)			
DC 9~36V Input UPS	AUPS-B20-R10 (VESA 100, DC 9~36V input, 12V output 100 W UPS module with 3800 mAh)			

Packing List

Item	P/N	Q'ty	Specifications
Touch Pen	43125-0002C0-00-RS	1	
Power Adapter	63000-FSP060DBAB1554-RS 63000-FSP084DMBA1308-RS	1	90~264V;12V;60W 90~264V;12V;80W
Power Cord	32000-000002-RS	1	1750mm;European Standard
User's Manual CD ROM	7B000-000087-RS	1	

Screws	44013-030041-RS	4
Remote Controller	7Z000-8T00320ICP05G-RS	1

[▲TOP](#)

Ordering Information

Resistive Type Touch

	AFL2-W15A-N270/R/1G-R10	15.6" 250cd/m ² WXGA+ fanless panel PC with Intel® Atom™ N270 1.6 GHz, 802.11b/g/n wireless module, Bluetooth module, Resistive touch screen, 1.3 M camera, microphone, 1GB DDR2 RAM, RoHS
Intel® Atom™	AFL2-W15A-N270/R-EM/1G-R10	15.6" 250cd/m ² WXGA+ fanless panel PC with Intel® Atom™ N270 1.6 GHz, 802.11b/g/n wireless module, Bluetooth module, Resistive touch screen, 1.3M camera, microphone, 1GB DDR2 RAM, EM card reader
	AFL2-W15A-N270/R-MF/1G-R10	15.6" 250cd/m ² WXGA+ fanless panel PC with Intel® Atom™ N270 1.6 GHz, 802.11b/g/n wireless module, Bluetooth module, Resistive touch screen, 1.3 M camera, microphone, 1 GB DDR2 RAM, Mifare card reader
	AFL2-W15A-L325/R/1G-R10	15.6" 250cd/m ² WXGA+ panel PC with AMD 780E + L325 dual core 1.5 GHz CPU, 802.11b/g/n wireless module, Bluetooth module, Resistive touch screen, 1.3 M camera, microphone, 1GB DDR2 RAM, RoHS
AMD 780E	AFL2-W15A-L325/R-EM/1G-R10	15.6" 250cd/m ² WXGA+ panel PC with AMD 780E + L325 dual core 1.5GHz CPU, 802.11b/g/n wireless module, Bluetooth module, Resistive touch screen, 1.3M camera, microphone, 1GB DDR2 RAM, EM card reader
	AFL2-W15A-L325/R-MF/1G-R10	15.6" 250cd/m ² WXGA+ panel PC with AMD 780E + L325 dual core 1.5 GHz CPU, 802.11b/g/n wireless module, Bluetooth module, Resistive touch screen, 1.3 M camera, microphone, 1GB DDR2 RAM, Mifare card reader

Projective Capacitive Type Touch

	AFL2-W15A-N270/PC/1G-R10	15.6" 250cd/m ² WXGA+ fanless panel PC with Intel® Atom™ N270 1.6 GHz, 802.11b/g/n wireless module, Bluetooth module, Projective capacitive touchscreen, 1.3 M camera, microphone, 1GB DDR2 RAM, RoHS
Intel® Atom™	AFL2-W15A-N270/PC-EM/1G-R10	15.6" 250cd/m ² WXGA+ fanless panel PC with Intel® Atom™ N270 1.6 GHz, 802.11b/g/n wireless module, Bluetooth module, Projective capacitive touchscreen, 1.3 M camera, microphone, 1GB DDR2 RAM, EM card reader
	AFL2-W15A-N270/PC-MF/1G-R10	15.6" 250cd/m ² WXGA+ fanless panel PC with Intel® Atom™ N270 1.6 GHz, 802.11b/g/n wireless module, Bluetooth module, Projective capacitive touchscreen, 1.3 M camera, microphone, 1GB DDR2 RAM, Mifare card reader
	AFL2-W15A-L325/PC/1G-R10	15.6" 250cd/m ² WXGA+ panel PC with AMD 780E + L325 dual core 1.5 GHz CPU, 802.11b/g/n wireless module, Bluetooth module, Projective capacitive touchscreen, 1.3 M camera, microphone, 1 GB DDR2 RAM, RoHS
AMD 780E	AFL2-W15A-L325/PC-EM/1G-R10	15.6" 250cd/m ² WXGA+ panel PC with AMD 780E + L325 dual core 1.5 GHz CPU, 802.11b/g/n wireless module, Bluetooth module, Projective capacitive touchscreen, 1.3M camera, microphone, 1GB DDR2 RAM, EM card reader
	AFL2-W15A-L325/PC-MF/1G-R10	15.6" 250cd/m ² WXGA+ panel PC with AMD 780E + L325 dual core 1.5 GHz CPU, 802.11b/g/n wireless module, Bluetooth module, Projective capacitive touchscreen, 1.3 M camera, microphone, 1GB DDR2 RAM, Mifare card reader

[▲TOP](#)

Optional Modules

P/N	AFL2DB-UART-R10	AFL2DB-LAN-R10	AFL2DB-MPCIE-R10	AFL2DB-USB3-R10	AFL2DB-CPT4-R10*
Function	2 x UART by DB9 connector	1 x GbE LAN by RJ-45 connector	1 x PCIe mini card with SIM card holder	1 x USB 3.0 port	4 x Video Capture port by DB9 connector
Board Size (mm)	80 x 75	50 x 75	50 x 75	50 x 75	50 x 75
Interface	UART	PCIe x1	PCIe x1	PCIe x1	PCIe x1

* Parking with one video capture card and one DB9 to 4 BNC connector cable

[▲TOP](#)

Taiwan

IEI Technology Corp.

TEL : 886-2-8691-6798
FAX : 886-2-6616-0028
Email: sales@ieiworld.com
<http://www.ieiworld.com>

U.S.A

IEI Technology USA Corp.

TEL : +1-909-595-2819
FAX : +1-909-595-2816
Email: sales@usa.ieiworld.com
<http://usa.ieiworld.com>

China

IEI Technology SH Corp.

TEL : 86-21-3462-7799
FAX : 86-21-3462-7797
E-mail: sales@ieiworld.com.cn
<http://www.ieiworld.com.cn>

Member of ICP Group

Copyright©2010; IEI Technology Corp. All rights reserved. Design and specifications are subject to change without prior notice.