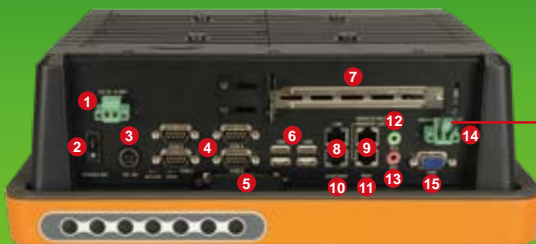


UPC-12A

12.1" Aluminum UPS Panel PC with Smart Battery Backup



Rugged Aluminum Die-casting Body!



Smart battery backup provides emergency power (14.8V, 3800 mAH)

- 1 9~28VDC Input
- 2 Power Switch
- 3 DC 12V Power Jack
- 4 3 x RS-232 COM
1 x RS-232/422/485 COM
- 5 User-accessible CF
- 6 4 x USB2.0
- 7 1 x PCI Expansion Slot
(Optional PCIe1 expansion)
- 8 2 x RJ-45 Giga LAN
- 9 Remote RS-232, Remote LAN
- 10 Clear cmos
- 11 Reset
- 12 Line-out
- 13 Mic-in
- 14 Remote DC On/Off
- 15 VGA Output

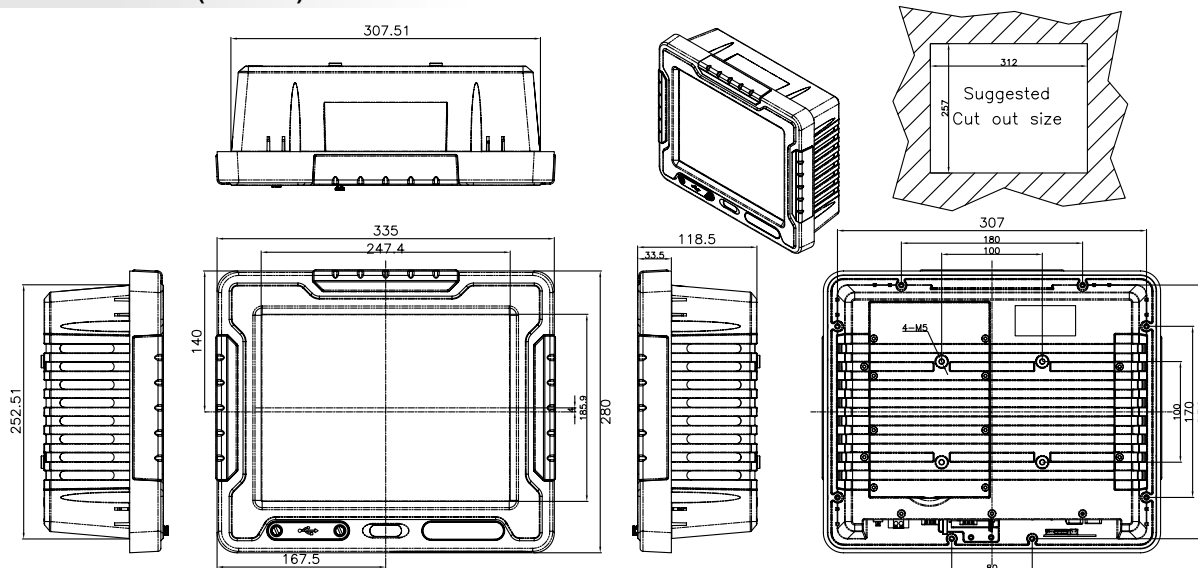


Specifications

Note: Please refer to page 26 to 31 for details

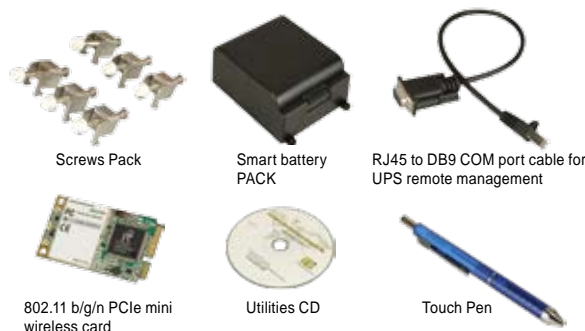
| Model | Regular Brightness | | Sunlight Readable | | |
|-------------------|--|---|--|---|---|
| | UPC-12A/910 | UPC-12A/GM45 | UPC-12AH/910 | UPC-12AH/GM45 | |
| Display | LCD Size | 12.1" | | 12.1" | |
| | Max Resolution | 1024 x 768 | | 1024 x 768 | |
| | Brightness (cd/m ²) | 450 | | 1000 | |
| | Contrast Ratio | 700:1 | | 700 : 1 | |
| | LCD Color | 262k | | 262k | |
| | Pixel Pitch (mm) | 0.240(H) x 0.240(V) | | 0.240(H) x 0.240(V) | |
| | Viewing Angle (V-H) | 160/160 | | 120/130 | |
| Backlight MTBF | 50000hrs | | 50000hrs | | |
| Motherboard | CPU | Intel® Celeron® M processor 1.0GHz with 512KBL2 Cache | Intel® Core™2 Duo T7500 2.2GHz Intel® Celeron® M 575 2.0GHz Intel® Core™2 Duo T9400 2.53GHz | Intel® Celeron® M processor 1.0GHz with 512KBL2 Cache | Intel® Core™2 Duo T7500 2.2GHz Intel® Celeron® M 575 2.0GHz Intel® Core™2 Duo T9400 2.53GHz |
| | Chipset | Intel® 910GMLE + ICH6M | Intel® GM45 Chipset + ICH9M | Intel® 910GMLE + ICH6M | Intel® GM45 Chipset + ICH9M |
| | RAM | two DDRII SO-DIMM Up to 4GB | | | |
| I/O | 3 x RS-232 COM 1 x RS-232/422/485 COM 2 x RJ-45 Giga LAN 6 x USB 2.0 (2 waterproof USBs in front of the panel) 1 x VGA 1 x Power Switch 2 x Audio Jack (Lin-out, Mic-in) 1 x Reset Button | | 1 x COMS Clear Button 1 x 9~28VDC Power Jack 1 x Power Mode Switch (Battery or DC input) 1 x 9~28VDC Power Input Terminal Block 1 x Networking UPS Management Port by RJ-45 Ethernet 1 x Remote COM port by RJ-45 connector 1 x UPS Remote Power Switch (2 pin terminal block) | | |
| Expansion | 1 x PCI, 1 x PCIe1 (Optional), 1 x PCIe mini (Wireless LAN Module) | | | | |
| LED Indicator | Power LED / HDD Status / Charging / Discharging / Light Sensor | | | | |
| Membrane Keypad | LCD On/Off; Brightness Up/Down; Volume Up/Down; Auto Dimming On/Off; Battery Low Beeper (under 10% batter capacity beeper on/off) | | | | |
| Drive Bay | CF Type II | | | | |
| HDD | 1 x 2.5" SATA HDD bay | | | | |
| Capacity | 14.8V, 3800 mAH | | | | |
| Battery | UPS run-time | 60 mins | 40 mins 50 mins 40 mins | 50 mins | 40 mins 30 mins 40 mins |
| | Construction Material | Aluminum Die-casting | | | |
| | Mounting | VESA 100 mm x100 mm | | | |
| Physical | Front Panel Color | Orange (Pantone 151C) | | | |
| | Dimensions (WxHxD) (mm) | 335 x 280 x 119 | | | |
| | Operation Temperature (°C) | -10°C~55°C | | | |
| | Storage Temperature (°C) | -20°C~70°C | | | |
| Environment | Net/Gross Weight | 5.8 Kg / 6.9 Kg | | | |
| | IP Level | IP65 Front Panel Compliant | | | |
| | Safety & EMC | CE / FCC / CCC / CB | | | |
| Touch Screen | Resistive Type 5-Wire (Touch controller IC is on board) | | | | |
| Power Requirement | 9~28VDC | | | | |
| Power Consumption | | 56W | 63W 60W 65W | 64W | 73W 70W 74W |

Dimensions (Unit: mm)



Packing List

| Item | Part Number | Q'ty | Specification |
|----------------------------------|--------------------|------|---|
| Screws Pack | 44003-050501-RS | 4 | M5; 5mm |
| RJ45 to DB9 COM port cable | 32000-089201-RS | 1 | |
| Power Adpater | 63000-FSP096AHB-RS | 1 | 90~264V AC; 12V DC; 96W |
| Power Cord | 32000-000002-RS | 1 | 1750mm; European Standard |
| Utilities CD | 7B000-000087-RS | 1 | |
| Touch Pen | XTR104-0002-RS | 1 | - |
| WiFi 802.11 b/g/n PCIe mini card | 7F900-Q802XKN-RS | | |
| Smart battery pack | BAT-LI-4S2P3800A | | Lithium ion Battery 4S2P, 3800mAh, FOR UPC Series |



Note: Suggest to connect DC input constantly. Battery will be drained after 14 hours.

Options

| Model | UPC-12A-910 | UPC-12A-GM45 | UPC-12AH-GM45 |
|---------------------|------------------------|--------------------------------------|-----------------------|
| Panel mounting kit | | UPCPK-12 | |
| Wall mounting kit | | AFLWK-19 | |
| Rack mounting kit | | UPCRK-12 | |
| ARM | | ARM-11-RS / ARM-31-RS | |
| Stand | | STAND-A19 / STAND-B19 / STAND-210-RS | |
| OS: Win CE 6.0 | UPCCF-12-910-CE060-R10 | N/A | N/A |
| OS: Win XPE | UPCCF-12-910-XPE-R10 | UPCCF-12-GM45-XPE-R10 | UPCCF-12-GM45-XPE-R10 |
| Battery Pack | | BAT-LI-4S2P3800A (14.8V, 3800mAH) | |
| PCIe x 1 Riser Card | | 034D335-00-100-RS | |

Ordering Information

| Part Number | Description |
|-------------|---|
| 12.1" | UPC-12A/910-CM373/WT-R/1GB-R10 Regular Brightness |
| | UPC-12A/GM45-CM575/WT-R/1GB-R10 Regular Brightness |
| | UPC-12A/GM45-T7500/WT-R/2GB-R10 Regular Brightness |
| | UPC-12A/GM45-T9400/WT-R/2GB-R10 Regular Brightness |
| 12.1" | UPC-12AH/910-CM373/WT-R/1GB-R10 Sunlight Readable |
| | UPC-12AH/GM45-CM575/WT-R/1GB-R10 Sunlight Readable |
| | UPC-12AH/GM45-T7500/WT-R/2GB-R10 Sunlight Readable |
| | UPC-12AH/GM45-T9400/WT-R/2GB-R10 Sunlight Readable |